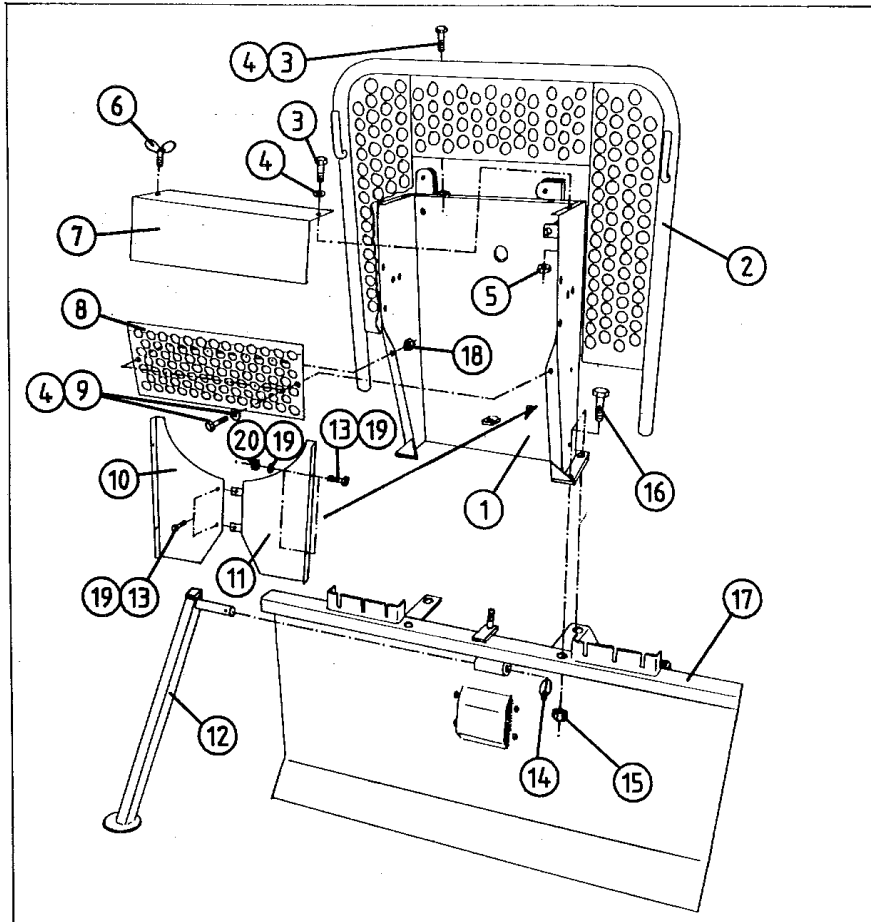




TELLEFSDAL A/S

SPARE PARTS LIST

NORSE 250



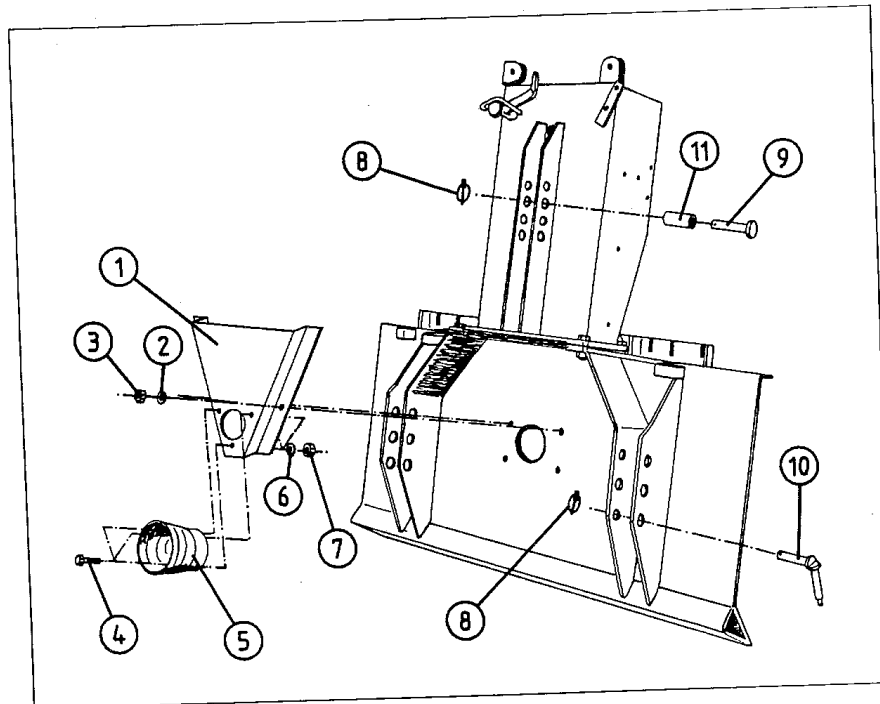
POS.	ART.NO.	NO.	TERM-TYPE-DIMENSION	(250 1-1)
1	34490001	1	Winch housing	
2	34490102	1	Safety grill	
3	34110015	3	Screw, M10 x 25	
4	34302117	5	Washer, 11 x 20.5 x 2	
5	34230900	1	Locking nut, M10	
6	34119068	1	Wing screw, M10 x 20	
7	34490068	1	Top cover	
8	34490069	1	Grill	
9	34110014	2	Screw, M10 x 20	
10	34490066	1	Inside cover, left	
11	34490063	1	Inside cover, right	
12	34630097	1	Parking stay	
13	34116900	6	Screw, M8 x 20	
14	34200100	1	Linch pin, 8 mm	
15	34232100	4	Locking nut, M16	
16	34115600	4	Screw, M16 x 35	
17	34490085	1	Butt plate	



TELLEFSDAL A/S

SPARE PARTS LIST

NORSE 250



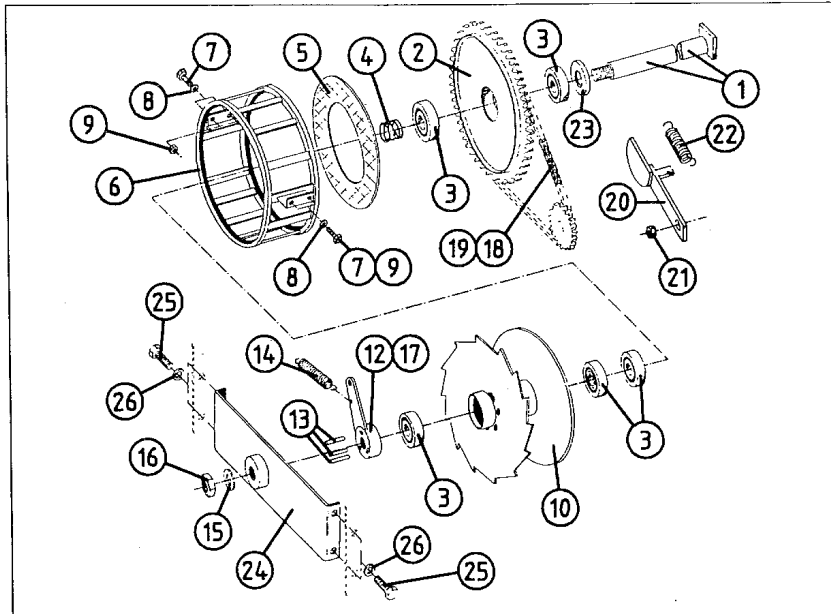
POS.	ART.NO.	NO.	TERM-TYPE-DIMENSION	(250 1-2)
1	34910095	1	Chain cover	
2	34302117	2	Washer, 11 x 20.5 x 2 (= pos.5, p.16)	
3	34230900	2	Locking nut, M10 (= pos.6, page 16)	
4	34119060	3	Screw, lower, M8 x 20	
5	34450002	1	P.T.O. cover, plastic	
6	34302117	3	Washer, 10.5 x 22 x 2	
7	34230400	3	Nut, M8	
8	34200200	3	Linch pin, 10 mm	
9	34101313	1	Top-stay bolt, 19 x 110	
10	34105643	2	Liftingarm bolt, 28 mm	
11	34370610	1	Casing, $\phi 25 \times 2.5 \times 52$ (Cat. II)	



TELLEFSDAL A/S

SPARE PARTS LIST

NORSE 250



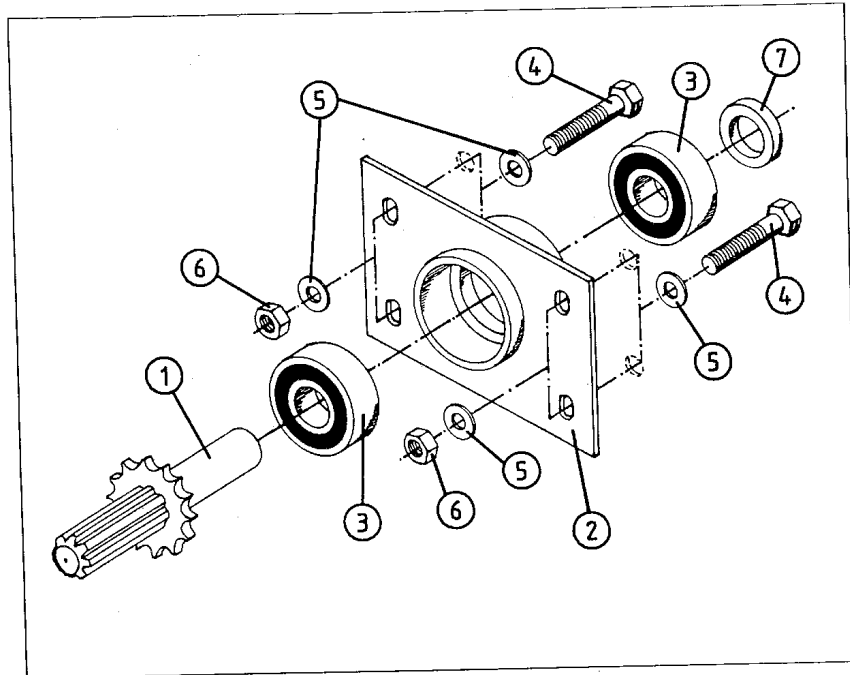
POS.	ART.NO.	NO.	TERM-TYPE-DIMENSION	(250 2-1)
1	34130043	1	Main shaft, ϕ 35 x 276	
2	34810039	1	Chain wheel, 5/8"- 60	
3	34320522	5	Ball bearing, 6307 2RS	
4	34431533	1	Pressure spring, ϕ 5 x 36 x 31	
5	34291221	1	Clutch lining, ϕ 250 x 155 x 3	
6	34490611	1	Drum basket	
7	34110015	4	Screw, M10 x 25	
8	34302117	4	Washer 20,5 x 2	
9	34230900	4	Locking nut, M10	
10	34490035	1	Wire rope drum	
12	34910049	1	Clutch lever	
13	34910052	3	Clutch pin, ϕ 12 x 40	
14	34430312	1	Return spring, ϕ 2.5 x 25 x 85	
15	34301537	1	Washer, ϕ 33 x 56 x 3,5	
16	34239903	1	Locking nut, M30 x 2	
17	34060801	1	Grease nipple, M6	
18	34816402	1	Chain, single, 5/8"-124 links	
19	34810304	1	Chain lock, single, 5/8"	
20	34810053	1	Chain tensioner	
21	34231300	1	Locking nut, M12	
22	34430312	1	Return spring, ϕ 2.5 x 25 x 85	
23	34300108	1	Distance washer, 35.5 x 57 x 2	
24	34490011	1	Rear clutch half (main shaft support)	
25	34119057	4	Screw, M10 x 15	
26	34312001	4	Locking washer, 10.5 x 18 x 0.9	



TELLEFSDAL A.S

SPARE PARTS LIST

NORSE 250



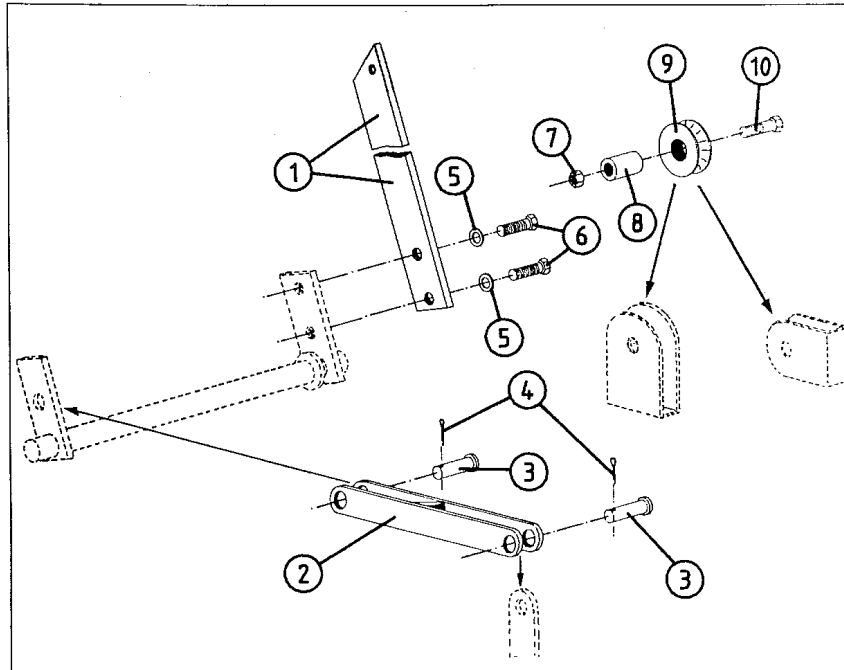
POS.	ART.NO.	NO.	TERM-TYPE-DIMENSION	(250 3-1)
	34810030	1	INPUT DRIVE SHAFT, COMPL.	
1	34810110	1	Drive shaft w/chain wheel, 5/8"-15	
2	34350109	1	Housing	
3	34321501	2	Ball bearing, 6306 2RS	
4	34110015	4	Screw, M10 x 25	
5	34302117	8	Washer, 11 x 20.5 x 2	
6	34230900	4	Locking nut, M10	
7	34301052	1	Stop washer, 30.5 x 47 x 4, (welded)	



TELLEFSDAL A.S

SPARE PARTS LIST

NORSE 250



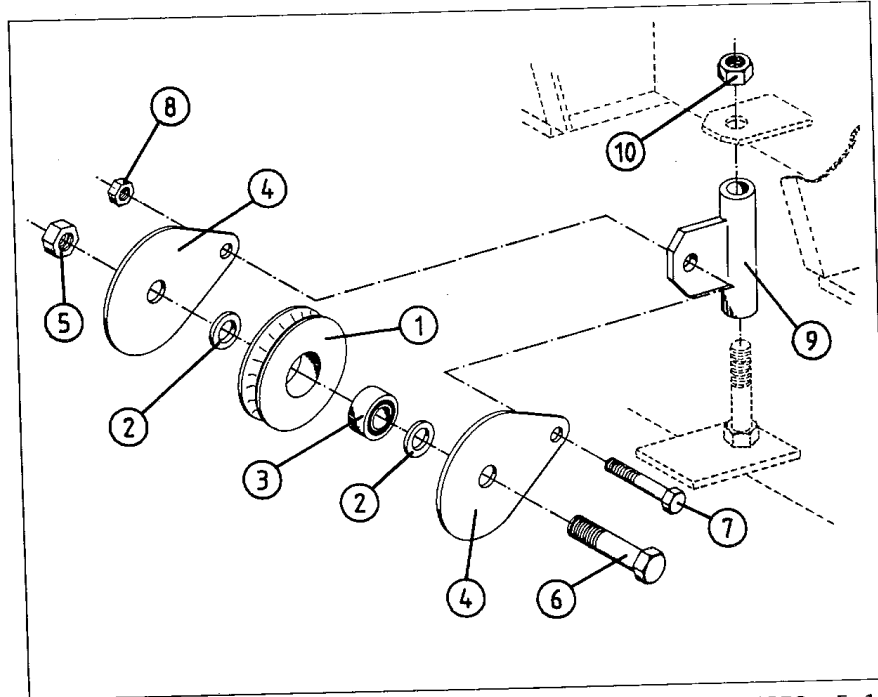
POS.	ART.NO.	NO.	TERM-TYPE-DIMENSION	(250 4-1)
1	34910026	1	Operating lever	
2	34910027	1	Connection arm	
3	34101024	2	Bolt, 12 x 36	
4	34220150	2	Split pin, 3 x 20	
5	34312001	2	Locking washer, 10.5 x 18 x 0.9	
6	34119057	2	Screw, M10 x 16	
7	34230500	2	Locking nut, M8	
8	34371381	2	Casing	
9	34391380	2	Jockey, plastic	
10	34110001	2	Screw, M8 x 35	
--	34820003	1	Operating cord	



TELLEFSDAL A.S

SPARE PARTS LIST

NORSE 250



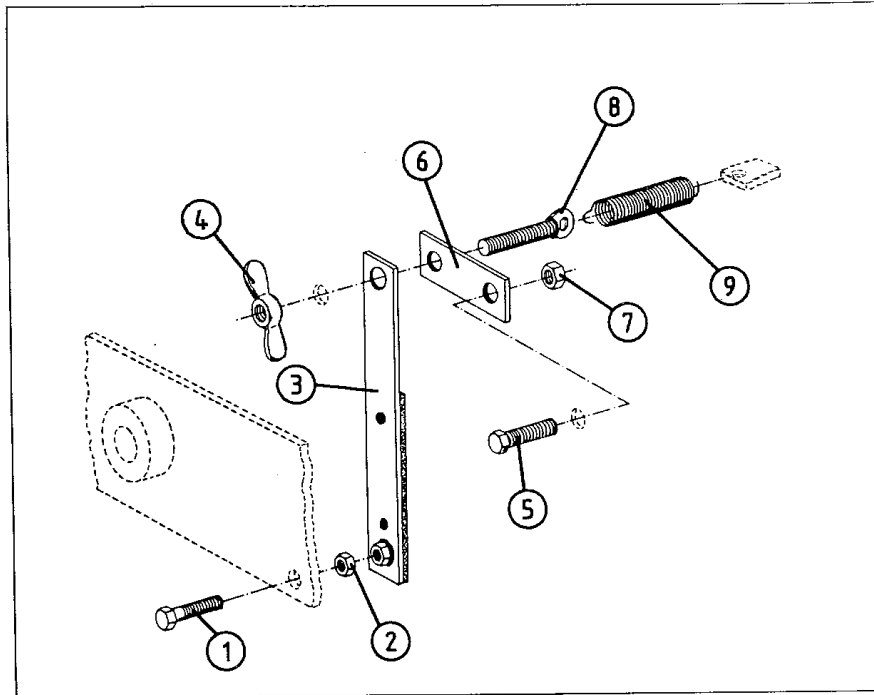
POS.	ART.NO.	NO.	TERM-TYPE-DIMENSION	(250 5-1)
	34390096	1	HAUL-IN BLOCK, COMPL.	
1	34396001	1	Shive, ϕ 100 x 21	
2	34302127	2	Distance ring, 25 x 45 x 4	
3	34323003	1	Ball bearing, 6305 2RS	
4	34390084	2	Side plate	
5	34233800	1	Locking nut, M24	
6	34115000	1	Screw, M24 x 60	
7	34119058	1	Screw, M12 x 37	
8	34231300	1	Locking nut, M12	
9	34370060	1	Bearing bush	
10	34233000	1	Locking nut, M20	



TELLEFSDAL A/S

SPARE PARTS LIST

NORSE 250



POS.	ART.NO.	NO.	TERM-TYPE-DIMENSION	(250 6-1)
1	34117200	1	Screw, M10 x 35	
2	34230900	1	Lockingnut, M10	
3	34290057	1	Drum brake w/lining	
4	34239900	1	Wing nut, M8	
5	34110000	1	Screw, M8 X 25	
6	34490617	1	Locking plate	
7	34230500	1	Locking nut, M8	
8	34119071	1	Eye screw, M8 x 60	
9	34430005	1	Return spring, $\phi 2 \times 15 \times 63$	