

NORSE

S·K·I·D·D·I·N·G W·I·N·C·H



NORSE 4500/5500

- Safety grill
- Segmented butt plate
- Winding unit
- Good parallel lifting
- Large cable capacity
- Cable guard
- Radio Remote Control Optional

NORSE 4500/5500

The NORSE 4500 and 5500 are mounted on the tractor's three-point hitch. NORSE 4500 and 5500 are products of many years' experience. These models are based on new principles developed in close cooperation with users, and satisfy all safety requirements. NORSE 4500 and 5500 have a cable winding system which prevents cable jamming on the drum.

Both models have the same design, but the 5500 winch is a geared-down version with greater pulling power. The segmented butt plate facilitates skidding and stacking operations. Both have ratchet brakes and cord operation. See and try NORSE winches at your dealer.

Other models include: NORSE 180, NORSE 250, NORSE 360 and NORSE 460 EH

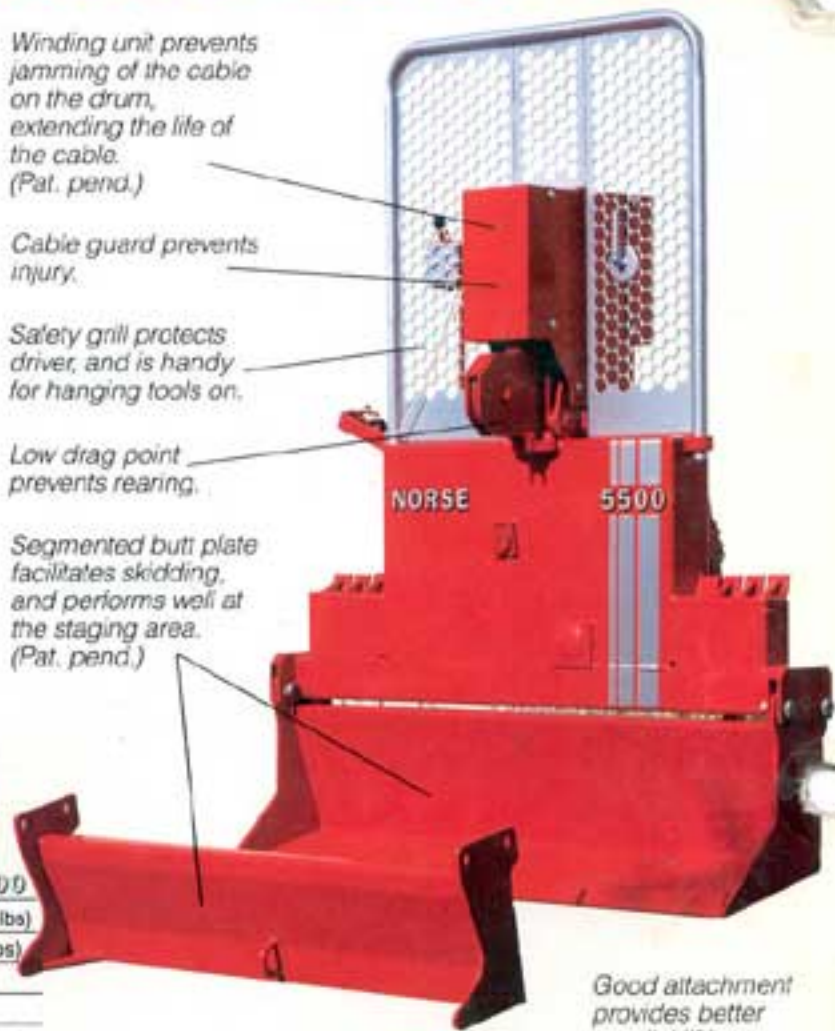
Winding unit prevents jamming of the cable on the drum, extending the life of the cable. (Pat. pend.)

Cable guard prevents injury.

Safety grill protects driver, and is handy for hanging tools on.

Low drag point prevents rearing.

Segmented butt plate facilitates skidding, and performs well at the staging area. (Pat. pend.)



Technical Specifications

	NORSE 4500	NORSE 5500
Pulling capacity inner layer	4500 kp (9,920 lbs)	5500 kp (12,125 lbs)
Pulling capacity outer layer	2165 kp (4,776 lbs)	2870 kp (6,325 lbs)
Required tractor output	41 kW/56 hp	27 kW/37 hp
Max. torque input on winch	73 kpm	49 kpm
*Average cable speed	1.40 m/s (4.6 ft/sec)	0.73 m/s (2.4 ft/sec)
*Min. cable speed	0.90 m/s (3 ft/sec)	0.48 m/s (1.5 ft./sec)
*Max. cable speed	1.92 m/s (6.3 ft/sec)	0.97 m/s (3.2 ft/sec)
Recommended cable diameter	Ø 11 mm (7/16")	Ø 12 mm (1/2")
Recommended cable length	50 m (165 ft)	50 m (165 ft)
Recommended p.t.o. shaft	W2300/A4	W2400/A4
Weight, complete winch minus cable	355 kg (783 lbs)	365 kg (805 lbs)
Maximum width	1530 mm (5 ft 2 in)	1530 mm (5 ft 2 in)
Maximum height w/grill and butt plate	2000 mm (6 ft 7 in)	2000 mm (6 ft 7 in)

*At max. permissible input shaft speed of 540 rpm.

Cable capacity

Dia.	Effective Breakage Load	Max. Length	Weight
8 mm (5/16")	4200 kp (9,260 lbs)	140 m (460 ft)	38 kg (84 lbs)
9 mm (11/32")	5317 kp (11,720 lbs)	110 m (360 ft)	39 kg (86 lbs)
10 mm (3/8")	6570 kp (14,480 lbs)	90 m (295 ft)	38 kg (84 lbs)
11 mm (7/16")	7940 kp (17,500 lbs)	70 m (230 ft)	37 kg (81 lbs)
12 mm (1/2")	9450 kp (20,830 lbs)	50 m (165 ft)	34 kg (75 lbs)

Rope construction: 6 x 26 WS + 1 WRC

Manufacturer:



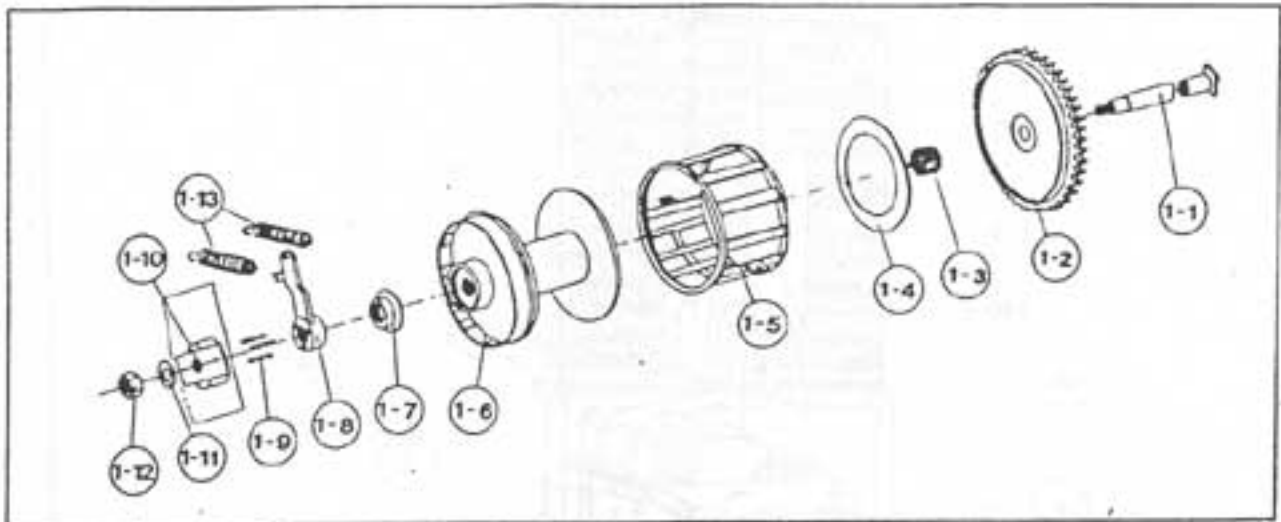
TELLEFSDAL A.S.
P.O.B. 25 • 4992 FIANE, NORWAY

Importer:

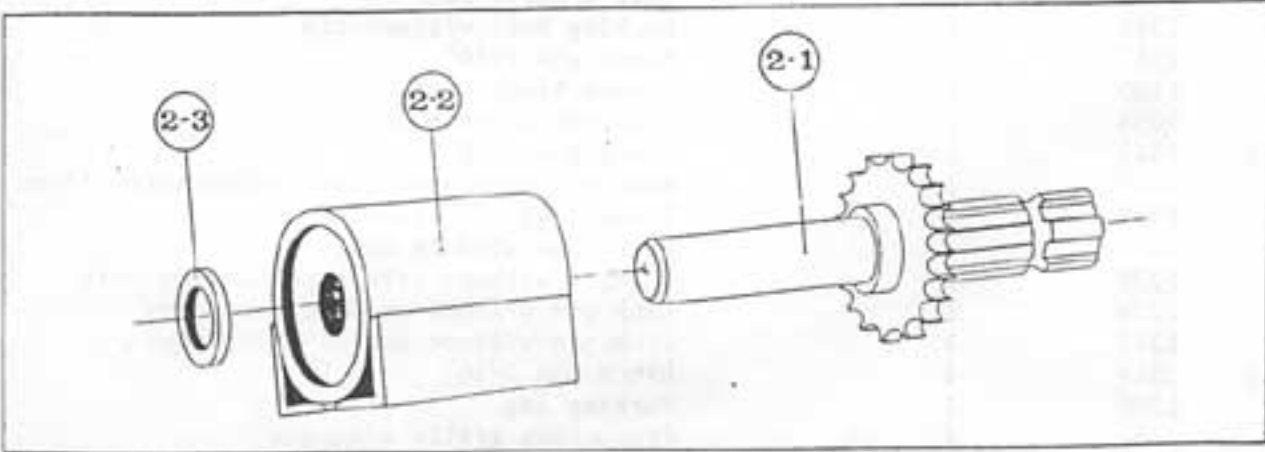
LABONVILLE INC

504 BERLIN - GORHAM ROAD
GORHAM • N.H. 03581
CALL -1-603-752-4030
FAX -1-603-752-7621

Dealer:

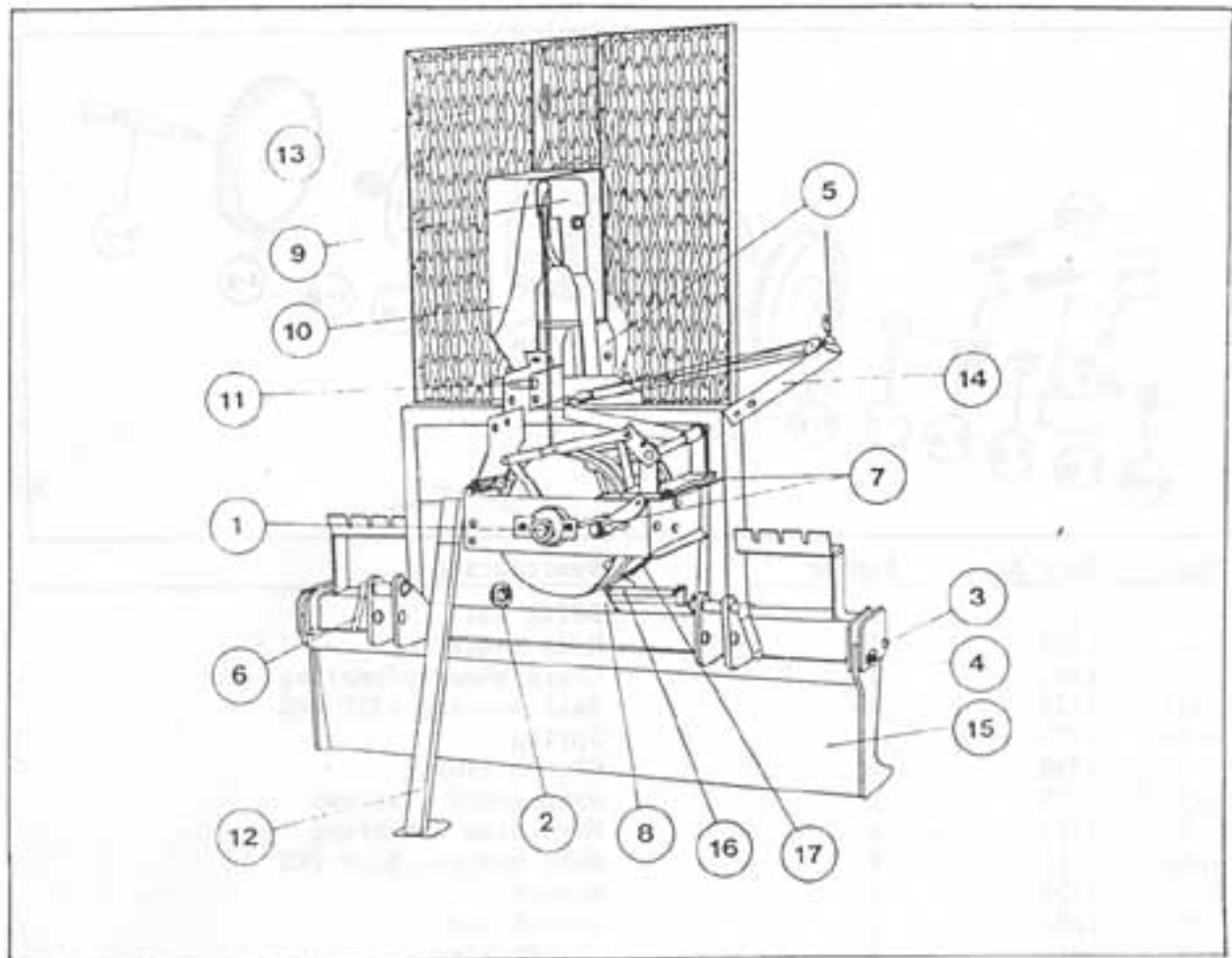


Pos.	Part No.	Number	Description
1	-	1	DRIVE UNIT
1-1	1227	1	Main shaft
1-2	1362	1	Chain wheel w/bearing
1-2A	1129	2	Ball bearing 6310 2RS
1-3	1220	1	Spring
1-4	1218	1	Clutch lining
1-5	1258	1	Wire guard w/screws
1-6	1363	1	Wire drum w/bearing
1-6A	1129	2	Ball bearing 6310 2RS
1-7	1259	1	Washer
1-8	1260	1	Clutch arm
1-9	1018	3	Clutch pins
1-10	1275	1	Clutch half w/screws
1-11	1537	1	Washer
1-12	1538	1	Nut M30x2
1-13	1522	2	Spring

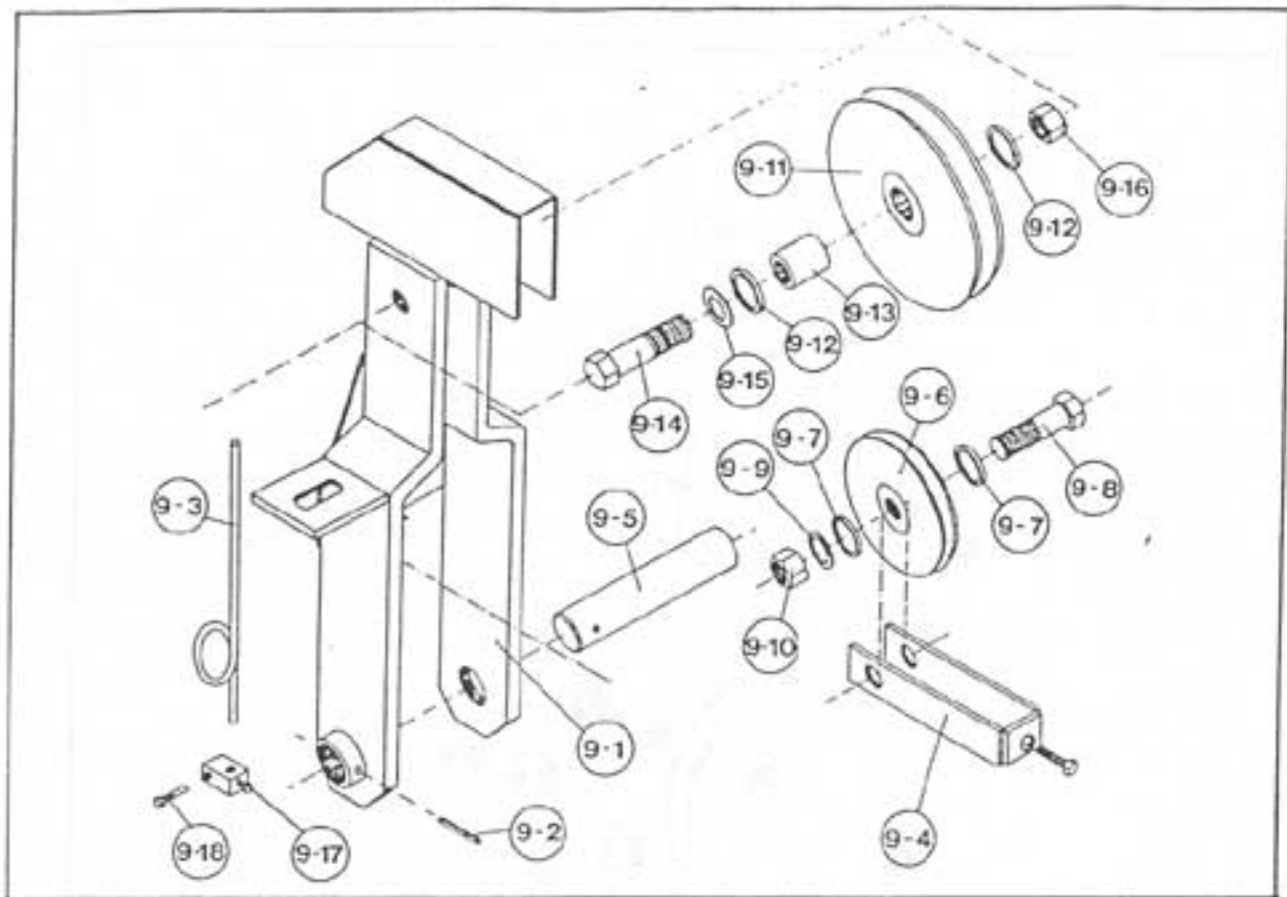


Pos.	Part No.	Number	Description
2	3322	1	INPUT DRIVE SHAFT CPL. W/HOUSING
2-1	3303	1	Sprocket w/shaft
2-2	3204	1	Housing w/bearing
2-2A	1501	2	Ball bearing 6306 2RS
3-3	1052	1	Stop washer (to be welded on)

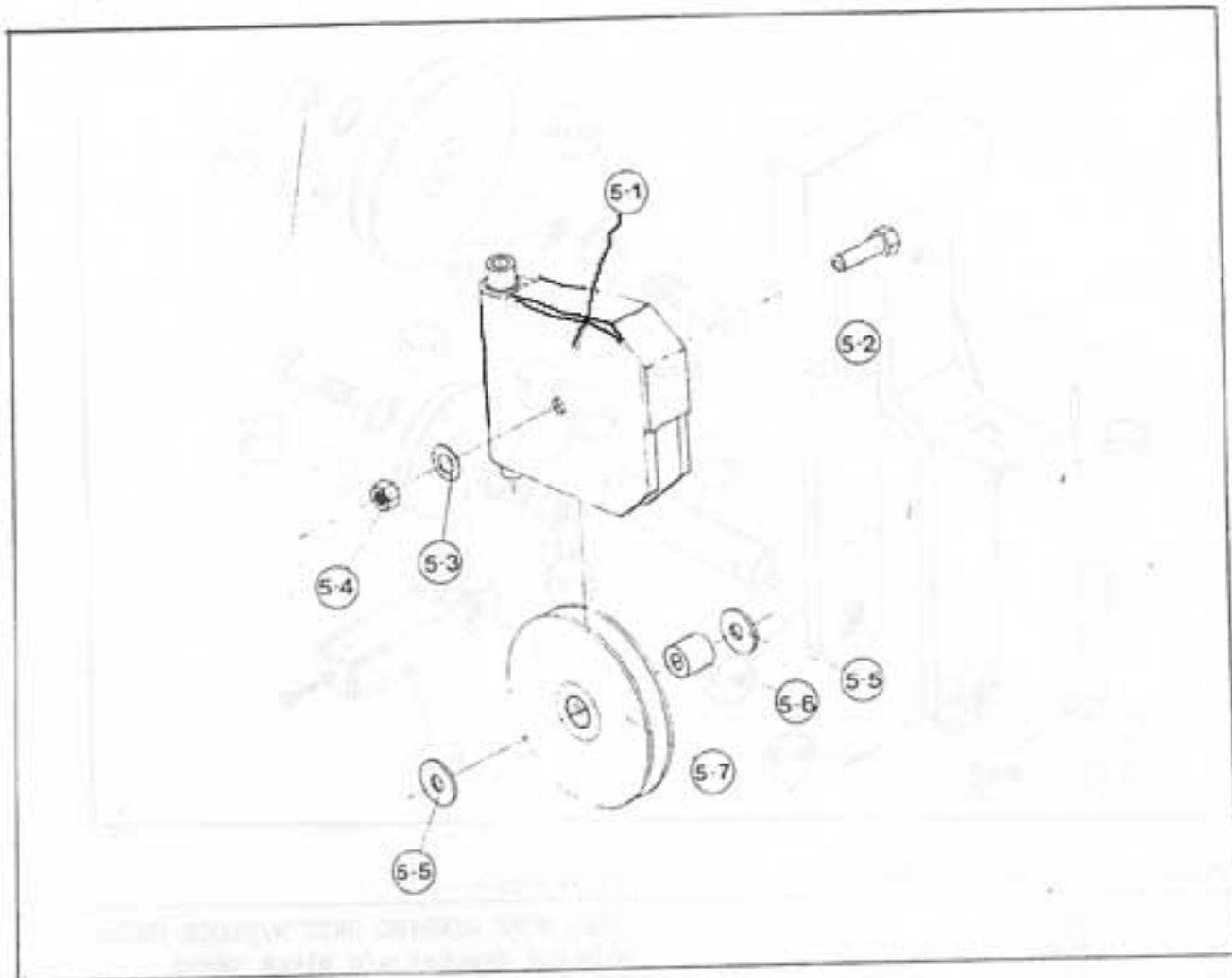
NORSE 4500



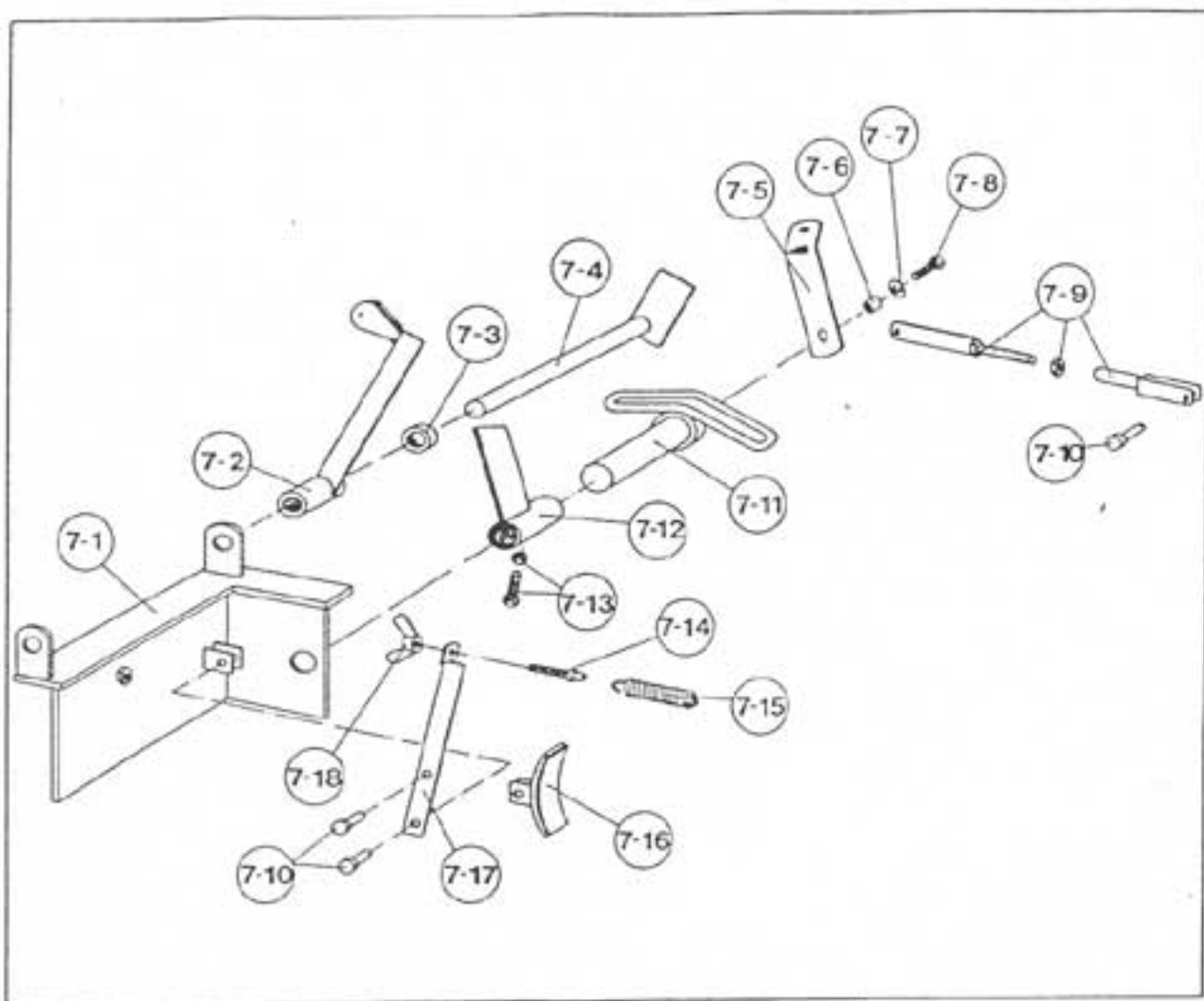
Pos.	Part No.	Number	Description
1	-	1	DRIVE UNIT
2	3322	1	Input drive shaft and chain wheel cpl. w/housing
3	1342	2	Bolt w/split pin
4	1343	2	Locking bolt w/linch pin
4-1	1517	2	Linch pin 7/16"
5	1186	1	Center block, cpl.
6	1053	2	Link pin w/linch pin
6-1	1517	2	Linch pin 7/16"
7	-	1	Ratchet brake/wire rope brake/clutch lever
8	1357	1	Lower cover w/screws
9	-	1	Wire rope winding unit
10	1278	1	Cover w/screws, wire rope winding unit
11	1279	1	Link pin w/linch pin Ø25, top stay
11	1313	1	Link pin w/linch pin Ø19, top stay
11-1	1517	1	Linch pin 7/16"
12	1280	1	Parking leg
13	1281	1	Protection grille w/screws
14	1287	1	Bracket w/screws, for pulley
14-1	1027	2	Pulley
15	1358	1	Logging pan
16	1359	1	Chain tightener
16-1	1001	1	Spring
17	1361	1	Chain 3/4" simplex - 75 links + lock
17-1	1526	1	3/4" simplex chain joining link



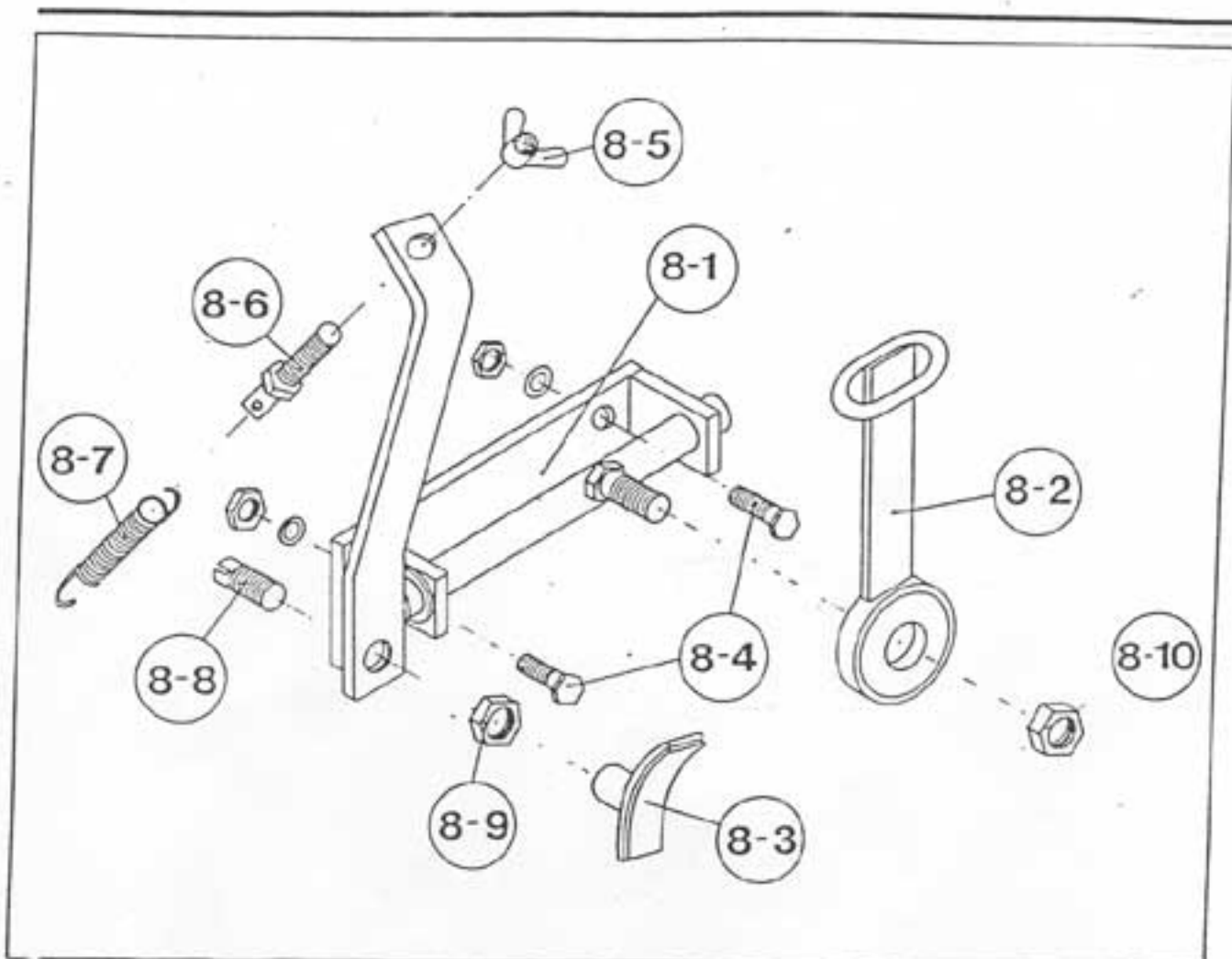
Pos.	Part No.	Number	Description
9	1267	1	WIRE ROPE WINDING UNIT W/BLOCK WHEEL
9-1	1268	1	Winding bracket w/o block wheel
9-2	1269	1	Clamping case
9-3	1360	1	Spring
9-4	1270	1	Adjustment bracket w/screw
9-4A	1271	1	Hexagonal bolt
9-5	1272	1	Shaft
9-6	1029	1	Block wheel Ø125 w/ball bearing
9-6A	1506	1	Ball bearing 6304 2RS
9-7	1075	2	Washer
9-8			
9-9	1527	1	Hexagonal bolt w/washer and nut
9-10			
9-11	1145	1	Block wheel Ø200 w/ball bearing
9-11A	1514	1	Ball bearing 6307 2RS
9-12	1091	2	Washer
9-13	1090	1	Bushing
9-14			
9-15	1274	1	Hexagonal bolt w/washer and nut
9-16			
9-17	1365	1	Lock for spring, w/screw
9-18	1364	1	Hexagonal bolt M12x30 w/washer



Pos.	Part No.	Number	Description
5	1186	1	CENTER BLOCK CPL.
5-1	1146	1	Block housing w/pin
5-2			
5-3	1527	1	Hexagonal bolt w/washer and nut
5-4			
5-5	1091	2	Spacing washer
5-6	1090	1	Bushing
5-7	1122	1	Block wheel Ø170 w/bearing
5-7A	1514	1	Ball bearing 6307 2RS



Pos.	Part No.	Number	Description
7	-	1	RATCHET BRAKE / WIRE ROPE BRAKE / CLUTCH LEVER
7-1	1366	1	Main bracket
7-2	1367	1	Lever cpl.
7-2A	1115	1	Double line pulley
7-3	1254	1	Stop washer
7-4	1368	1	Shaft for lever
7-5	2135	1	Brake lever
7-6	1352	1	Bushing
7-7	2134	1	Washer
7-8	2119	1	Nut M12x25
7-9	1252	1	Connection
7-10	1024	3	Clevis pin w/split pin
7-11	1369	1	Ratchet pin
7-12	2130	1	Ratchet brake
7-13	1353	1	Hexagonal bolt M10x35 w/nut
7-14	1372	1	Adjustment screw
7-15	1001	1	Spring
7-16	1370	1	Brake lining w/rivets and bolt
7-17	1371	1	Brake arm w/bolt and nut
7-18	1295	1	Nut



Pos.	Part No.	Number	Description
8	-	1	FRICITION BRAKE
8-1	1385	1	Brake bracket
8-2	1386	1	Brake arm w/bearing
8-2A	1503	1	Ball bearing 6303 2RS
8-3	1387	1	Brake w/lining
8-4	1304	2	Hexagonal bolt M10x25 w/washer and nut
8-5	1295	1	Nut
8-6	1020	1	Adjustment screw
8-7	1001	1	Spring
8-8	1388	1	Adjustment screw
8-9	2072	1	Nut M10
8-10	1389	1	Nut M16