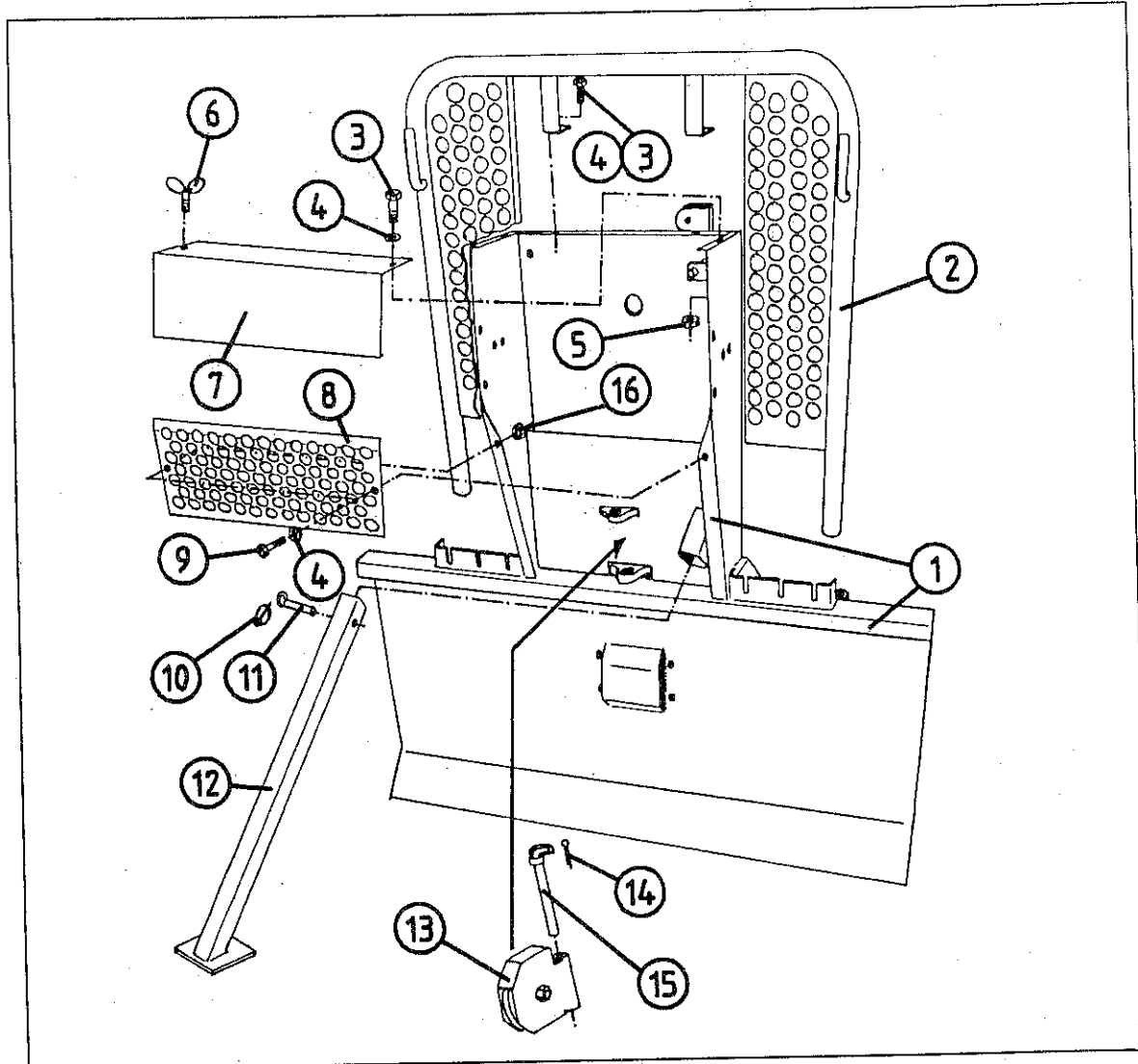


TELLEFSDAL A.S

SPARE PARTS LIST

NORSE 365



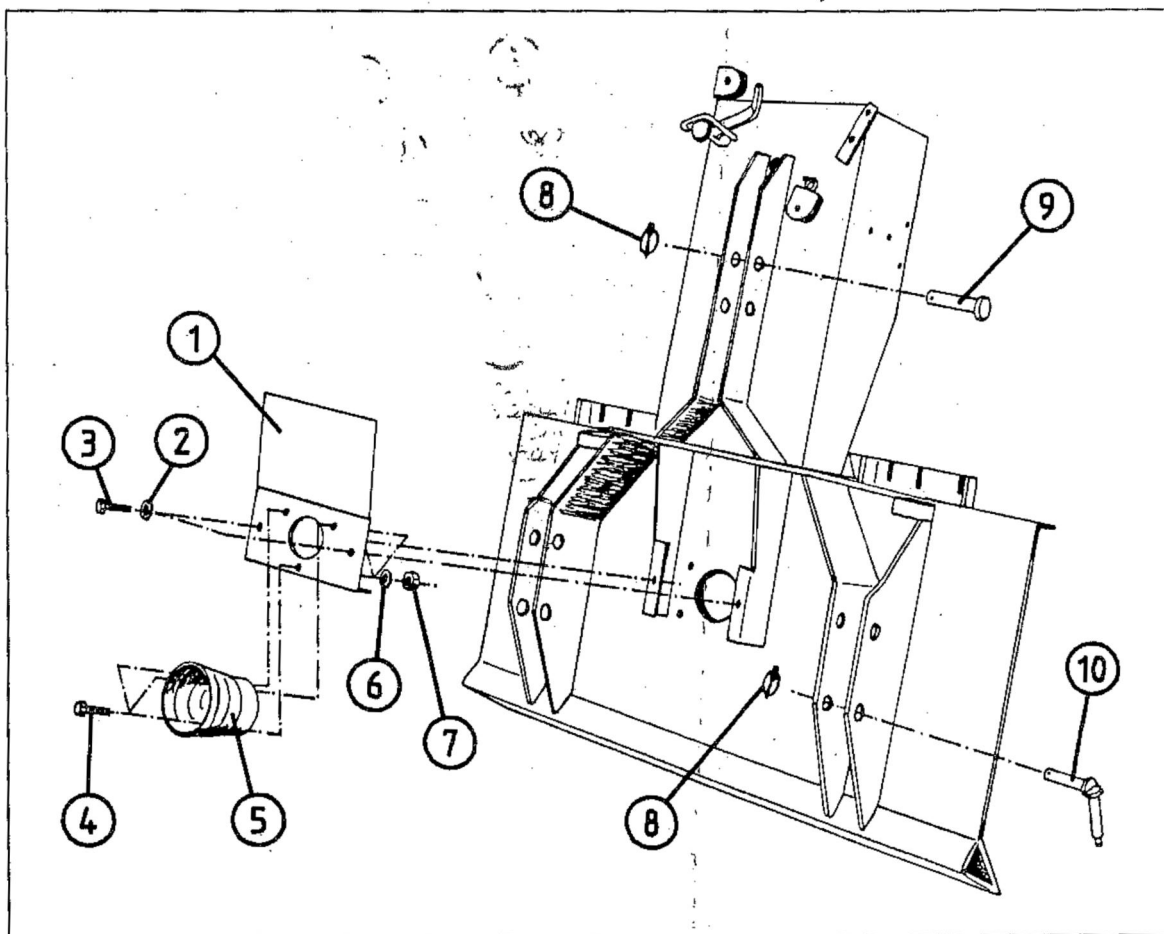
POS.	ART. NO.	NO.	TERM-TYPE-DIMENSION	(365 1-1)
1	34490802	1	Winch housing w/butt plate	
2	34490809	1	Safety grill	
3	34110015	3	Screw, M10 x 25	
4	34302117	5	Washer, 11 x 20.5 x 2	
5	34230900	1	Locking nut, M10	
6	34119068	1	Wing screw, M10 x 20	
7	34490807	1	Top cover	
8	34490808	1	Grill	
9	34110014	2	Screw, M10 x 20	
10	34200100	1	Linch pin, 8 mm	
11	34100511	1	Locking bolt, parking stay	
12	34632800	1	Parking stay	
13	34393550	1	Haul-in block, compl. (see chap. 5-1)	
14	34220702	1	Split pin, 6 x 30	
15	34105650	1	Bolt, haul-in block	
16	34230800	2	Nut, M10	



TELLEFSDAL A.S

SPARE PARTS LIST

NORSE 365



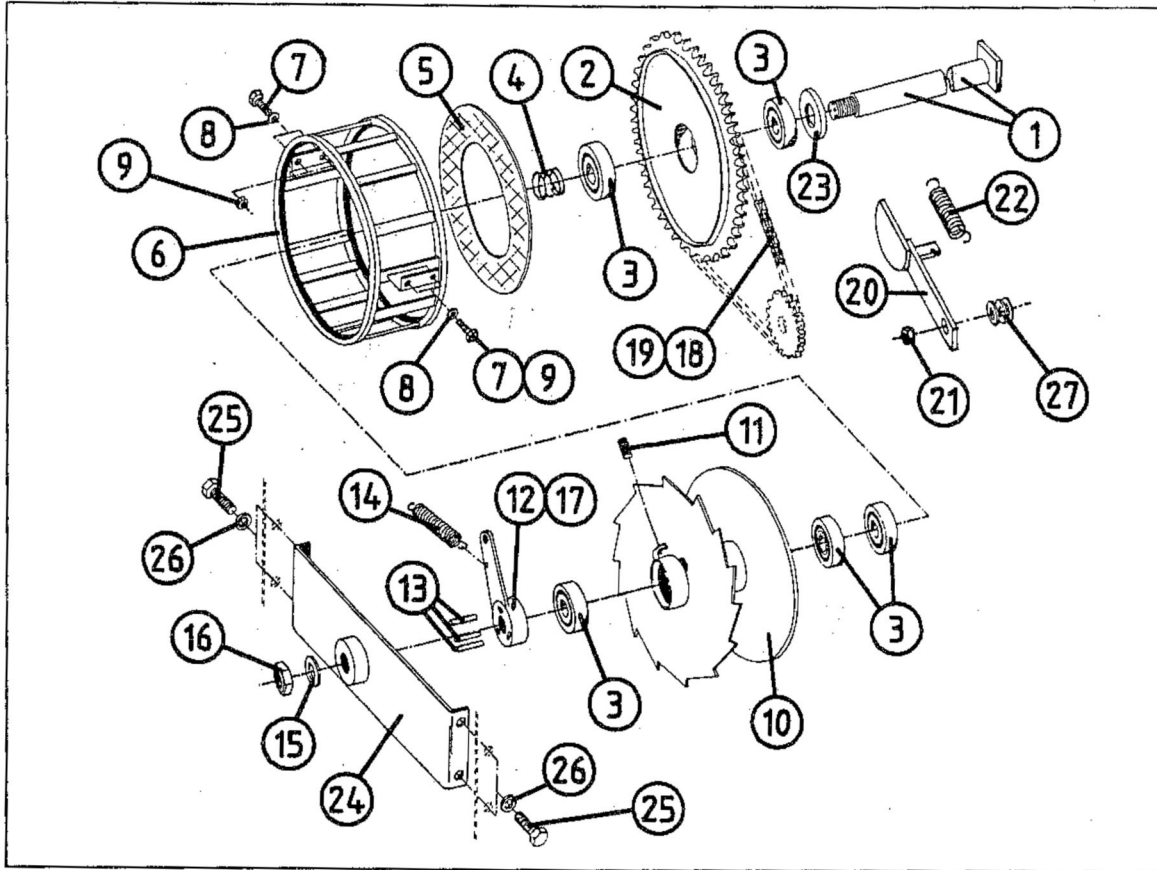
POS.	ART.NO.	NO.	TERM-TYPE-DIMENSION	(365 1-2)
1	34911024	1	Chain cover	
2	34302137	2	Washer, 8.4 x 22 x 1.5	
3	34110090	2	Screw, M8 x 12	
4	34119060	3	Screw, lower, M8 x 20	
5	34450002	1	P.T.O. cover, plastic	
6	34302117	3	Washer, 10.5 x 22 x 2	
7	34230400	3	Nut, M8	
8	34200200	3	Linch pin, 10 mm	
9	34105644	1	Top-stay bolt, 25 x 110	
10	34105643	2	Liftingarm bolt, 28 mm	



TELLEFSDAL A.S

SPARE PARTS LIST

NORSE 365



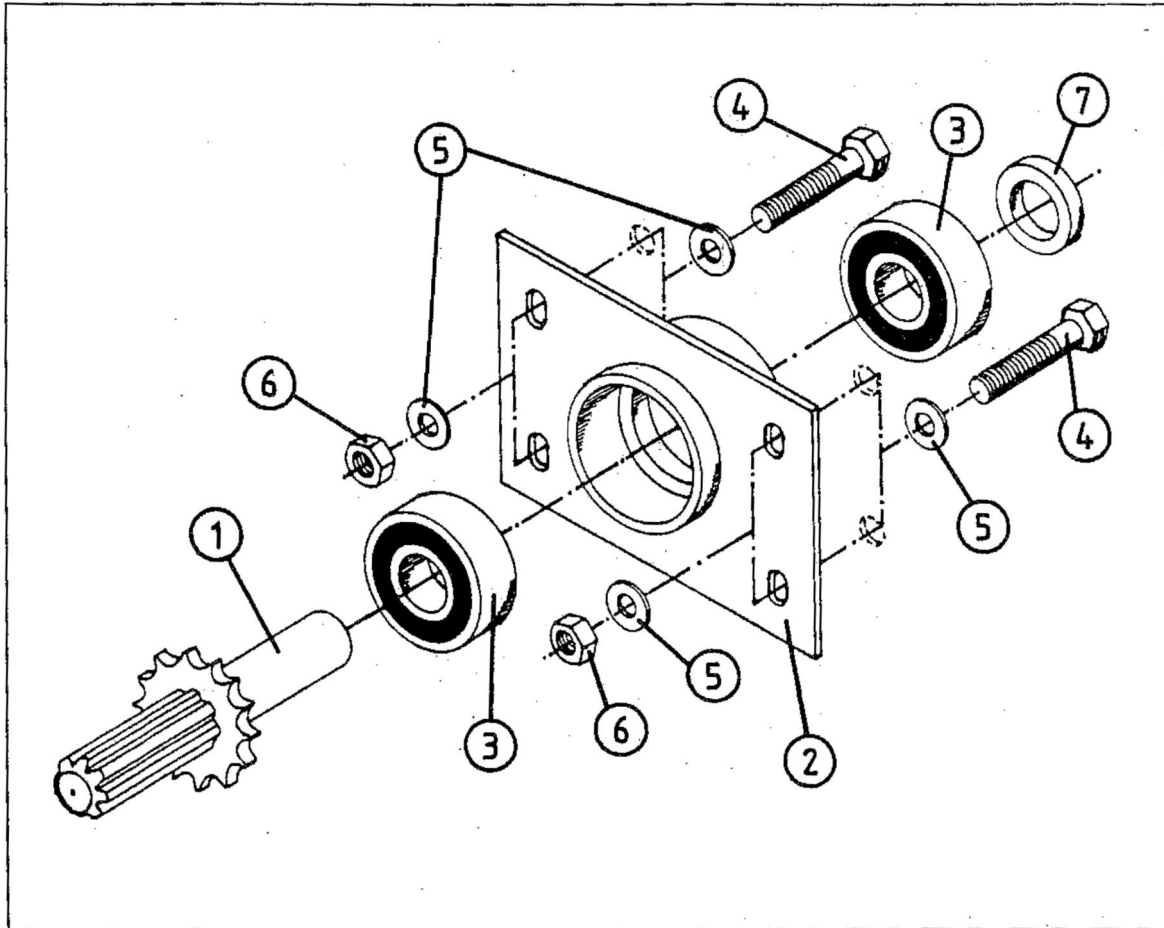
POS.	ART. NO.	NO.	TERM-TYPE-DIMENSION	(365 2-1)
1	34130223	1	Main shaft, ϕ 35 x 340	
2	34810183	1	Chain wheel, 3/4" - 58	
3	34320522	5	Ball bearing, 6307 2RS	
4	34431533	1	Pressure spring, ϕ 5 x 36 x 31	
5	34291518	1	Clutch lining, ϕ 292 x 164 x 5	
6	34490805	1	Drum basket	
7	34110015	4	Screw, M10 x 25	
8	34302117	4	Washer 20,5 x 2	
9	34230900	4	Locking nut, M10	
10	34490804	1	Wire rope drum	
11	34119065	1	Set screw, M12 x 16	
12	34911025	1	Clutch lever	
13	34911018	3	Clutch pin	
14	34430312	1	Return spring, ϕ 2.5 x 25 x 85	
15	34301537	1	Washer, ϕ 33 x 56 x 3,5	
16	34239903	1	Locking nut, M30 x 2	
17	34060801	1	Grease nipple, M6	
18	34810810	1	Chain, single, 3/4" F.-112 links	
19	34818005	1	Chain lock, single, 3/4" F.	
20	34810189	1	Chain tensioner	
21	34231300	1	Locking nut, M12	
22	34430002	1	Return spring, ϕ 3 x 28 x 85	
23	34300108	1	Distance washer, 35.5 x 57 x 2	
24	34490806	1	Rear clutch half (main shaft support)	
25	34119057	4	Screw, M10 x 15	
26	34312001	4	Locking washer, 10.5 x 18 x 0.9	
27	34302116	5	Washer, 13.5 x 24 x 2.5	



TELLEFSDAL A.S

SPARE PARTS LIST

NORSE 365



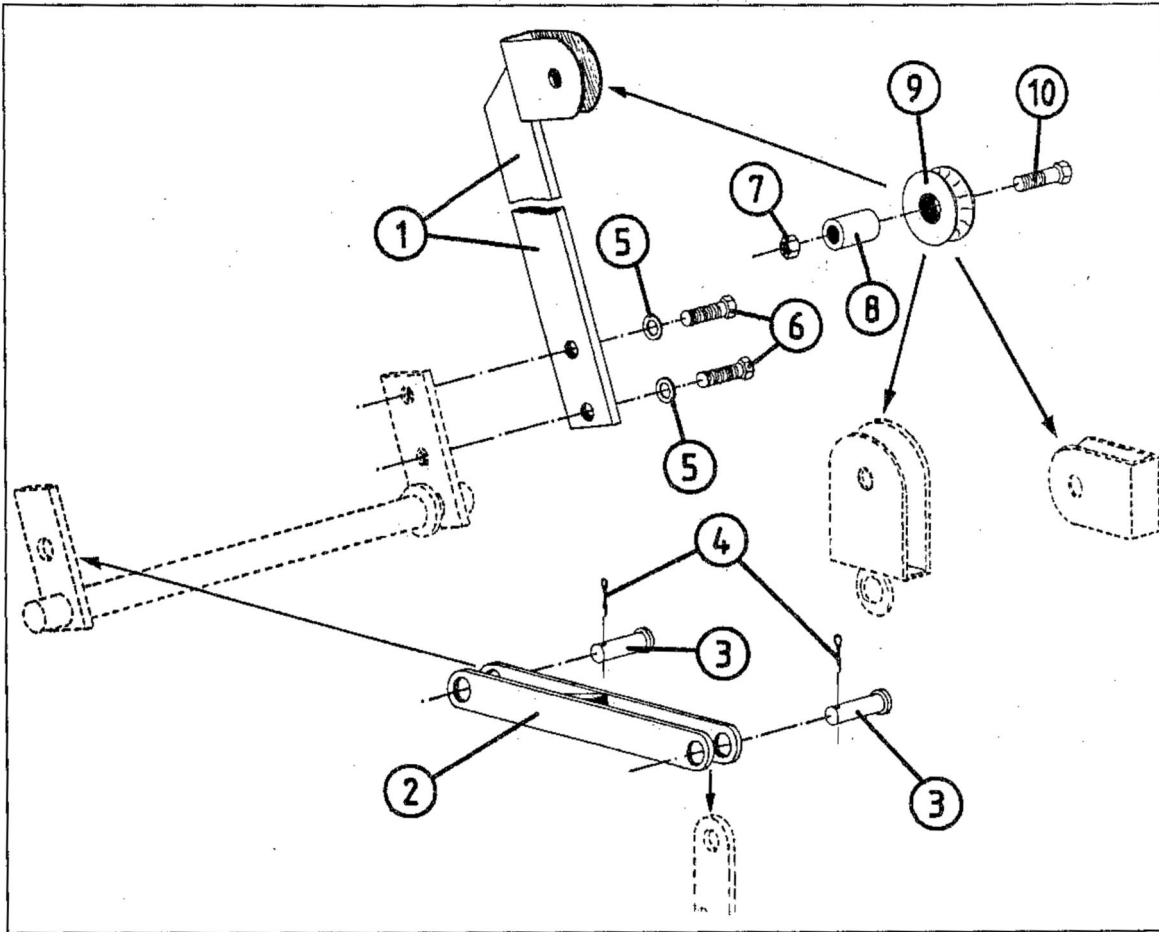
POS.	ART.NO.	NO.	TERM-TYPE-DIMENSION	(365 3-1)
	34810808	1	INPUT DRIVE SHAFT, COMPL.	
1	34810809	1	Drive shaft w/chain wheel, 3/4"-13	
2	34350109	1	Housing	
3	34321501	2	Ball bearing, 6306 2RS	
4	34110015	4	Screw, M10 x 25	
5	34302117	8	Washer, 11 x 20.5 x 2	
6	34230900	4	Locking nut, M10	
7	34301052	1	Stop washer, 30.5 x 47 x 4, (welded)	



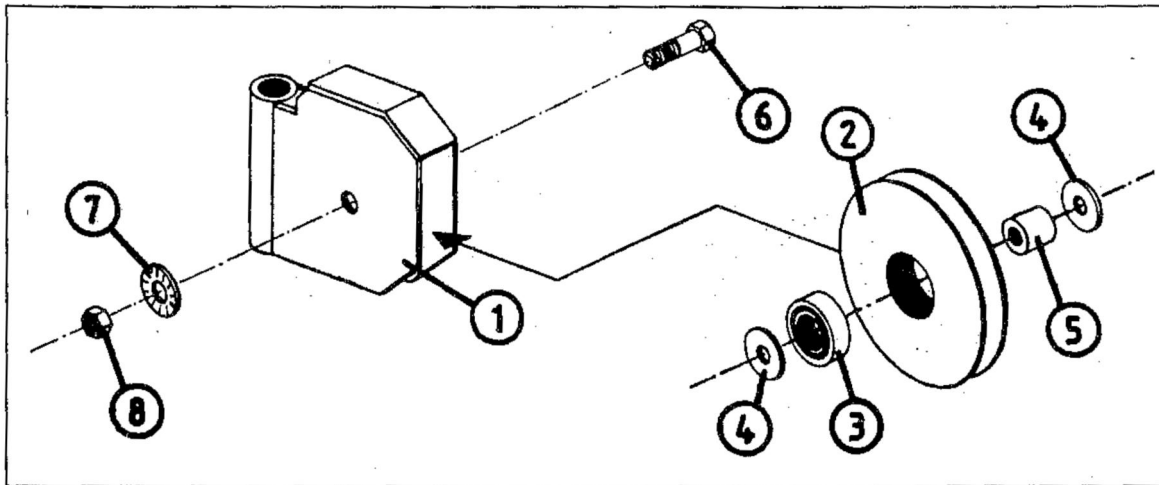
TELLEFSDAL A.S

SPARE PARTS LIST

NORSE 365



POS.	ART.NO.	NO.	TERM-TYPE-DIMENSION	(365 4-1)
1	34911027	1	Operating lever	
2	34911026	1	Connection arm	
3	34101024	2	Bolt, 12 x 36	
4	34220150	2	Split pin, 3 x 20	
5	34312001	2	Locking washer, 10.5 x 18 x 0.9	
6	34119057	2	Screw, M10 x 16	
7	34230500	3	Locking nut, M8	
8	34371381	3	Casing	
9	34391380	3	Jockey, plastic	
10	34110001	3	Screw, M8 x 35	
--	34820003	1	Operating cord	

**NORSE****365**

POS.	ART.NO.	NO.	TERM-TYPE-DIMENSION	(365 5-1)
	34393550	1	HAUL-IN BLOCK, COMPL.	
1	34390261	1	Housing	
2	34396003	1	Shive, ϕ 145	
3	34320522	1	Ball bearing, 6307 2RS	
4	34301091	2	Distance ring, 4 x 55 x 36	
5	34371090	1	Casing, ϕ 36 x 28	
6	34110106	1	Screw, M20 x 60	
7	34302004	1	Locking washer, 21 x 33 x 1.4	
8	34233000	1	Locking nut, M20	

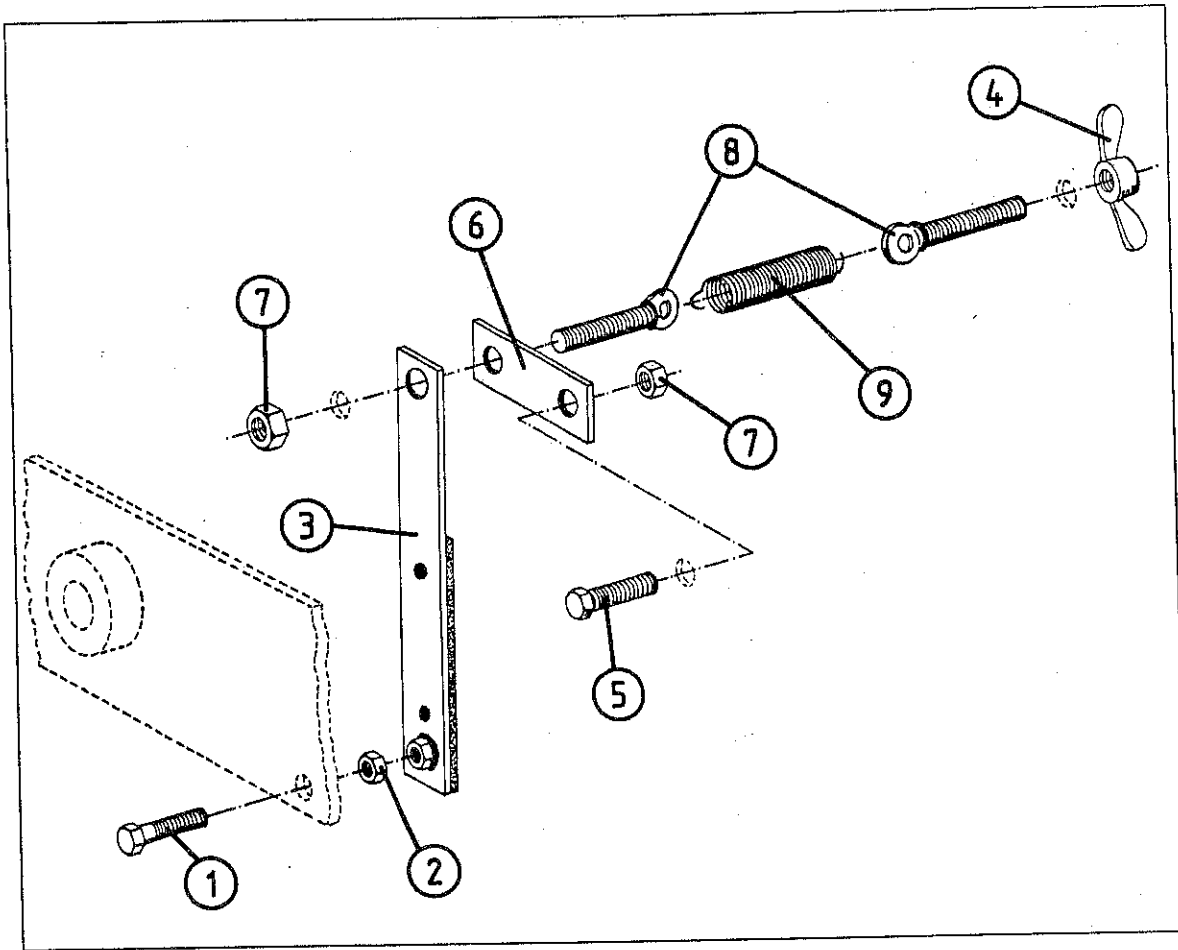


TELLEFSDAL A.S

SPARE PARTS LIST

NORSE

365



POS.	ART.NO.	NO.	TERM-TYPE-DIMENSION	(365 6-1)
1	34110097	1	Screw, M10 x 75	
2	34230800	1	Nut, M10	
3	34290057	1	Drum brake w/lining	
4	34239900	1	Wing nut, M8	
5	34110000	1	Screw, M8 X 25	
6	34490617	1	Locking plate	
7	34230500	2	Locking nut, M8	
8	34119071	2	Eye screw, M8 x 60	
9	34430312	1	Return spring, $\phi 2.5 \times 25 \times 85$	

WARRANTY TERMS

- 11.1 TELLEFSDAL A.S. warrantees NORSE WINCHES for 12 full months from the date of purchase.
- 11.2 During the warranty period: TELLEFSDAL A.S. will repair, replace or test any parts that are proved to be defective in material or workmanship.
- 11.3 By approval of warranty claims TELLEFSDAL A.S covers all repair costs.
Freight costs and all personal travel costs are the responsibility of the buyer/dealer.
Prior to repairing the winch locally the terms of compensation have to be agreed upon between the buyer and the manufacturer.
Compensation for defective parts corresponds to the current spare parts price-list, minus normal discount.
If the warranty claim should be rejected, TELLEFSDAL A.S is not responsible for expences incurred.
- 11.4 All claims must be presented in written form, describing the problem, and a copy of the warranty card, properly filled in. In case of return the goods must be labelled and marked with warranty claim report no., serial no. on the winch and the name and adress of the dealer.
- 11.5 The NORSE warrantee is not valid if:
- A: The warrantee card has not been filled out and a copy is not enclosed with the claim.
 - B: The operators manual and safety instructions have not been followed.
 - C: The winch has been misused, abused or carelessly operated.
 - D: The winch is modified by welding or by attachments of not original parts and pieces. It has been serviced by persons, who are unauthorized by TELLEFSDAL A.S.
- 11.6 TELLEFSDAL A.S IS NOT responsible for lost working time or lost revenue that has resulted because of a defect in the winch.
- 11.7 The buyer can not claim a cancellation the purchase, a pricereduction or any other claims, if TELLEFSDAL A.S, within reasonable time, repairs the winch.
- 11.8 The buyer is granted credit on warranty claims AFTER approval from TELLEFSDAL A.S.
Deductions of credits on current incoices are not accepted without prior agreement.