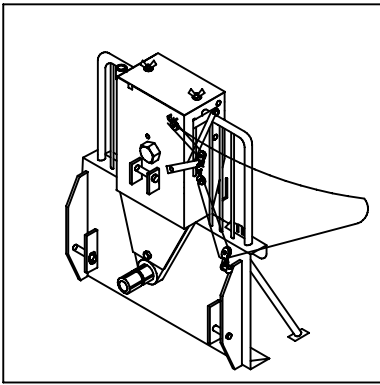


# NORSE 190, Parts Catalogue

Serial No.: 190201 →



## GENERAL INFO:

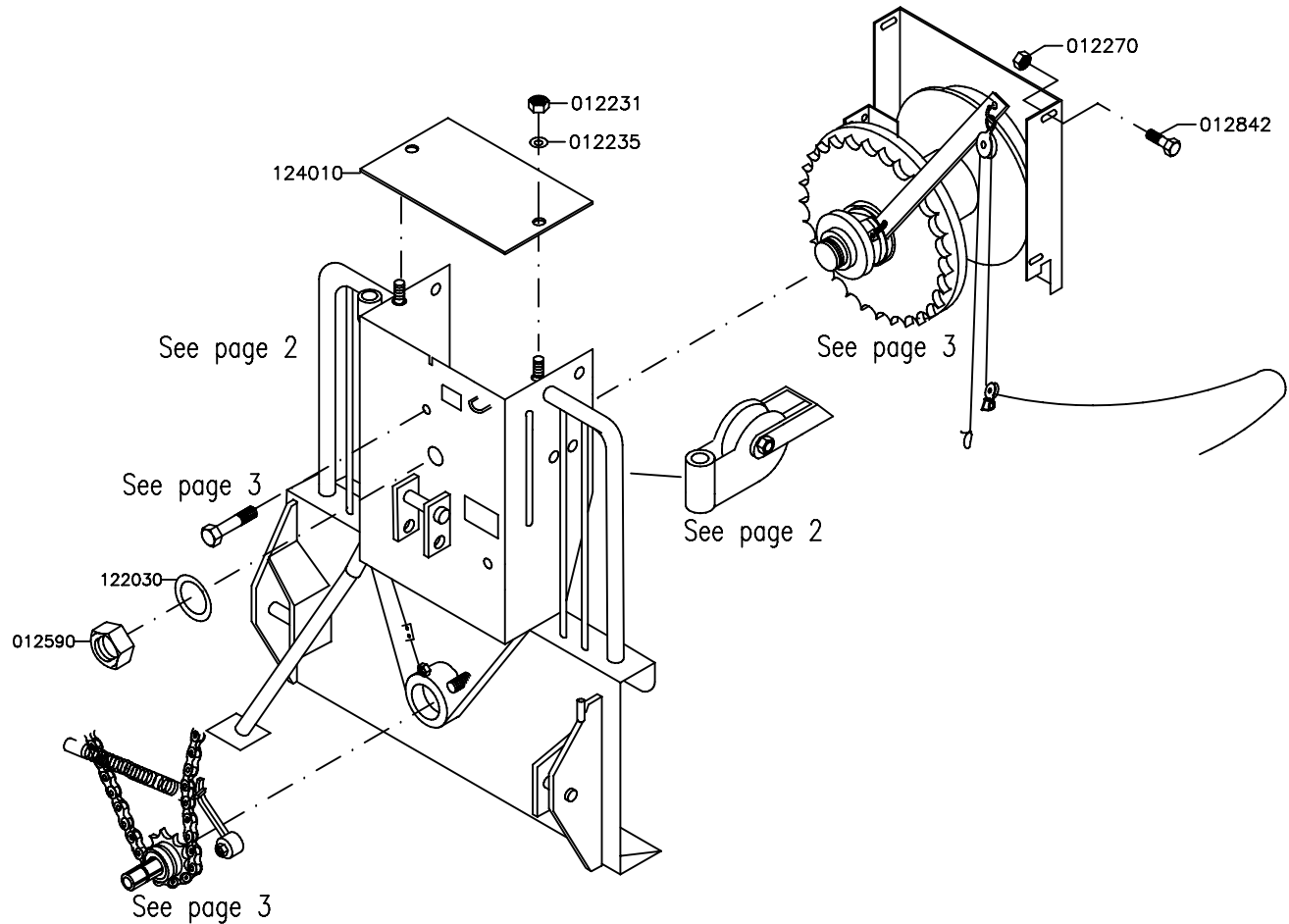
This Parts Catalogue consists of 4 numbered pages.

This Catalogue: P/N 395013

N/A: Not Available

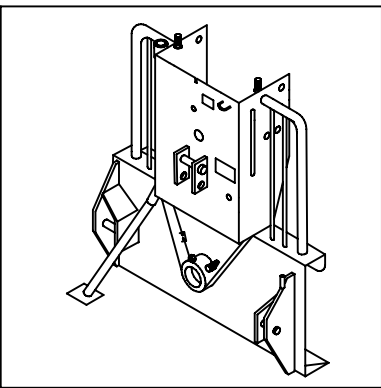
© IGLAND AS

- Gjengivelse av tekst og tegninger uten tillatelse forbudt.
- Reproduction of text or illustrations without permission is prohibited.
- Eine Wiedergabe von Texten und Zeichnungen ohne unsere Genehmigung ist nicht gestattet.
- Interdiction de toute reproduction de textes ou d'illustrations sans autorisation préalable.

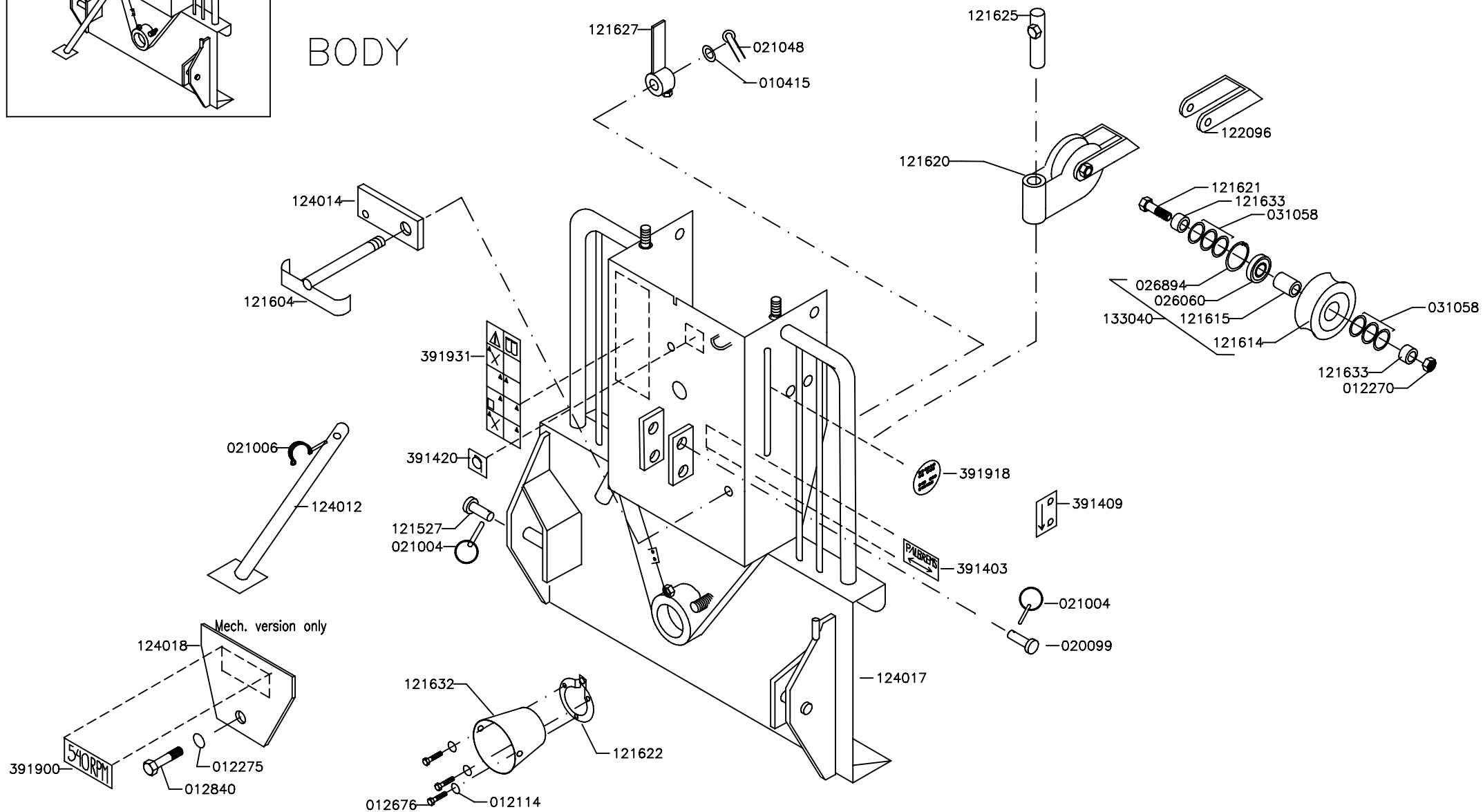


Approved:	Revised:
	Issued: øi 30.05.2006

# NORSE 190

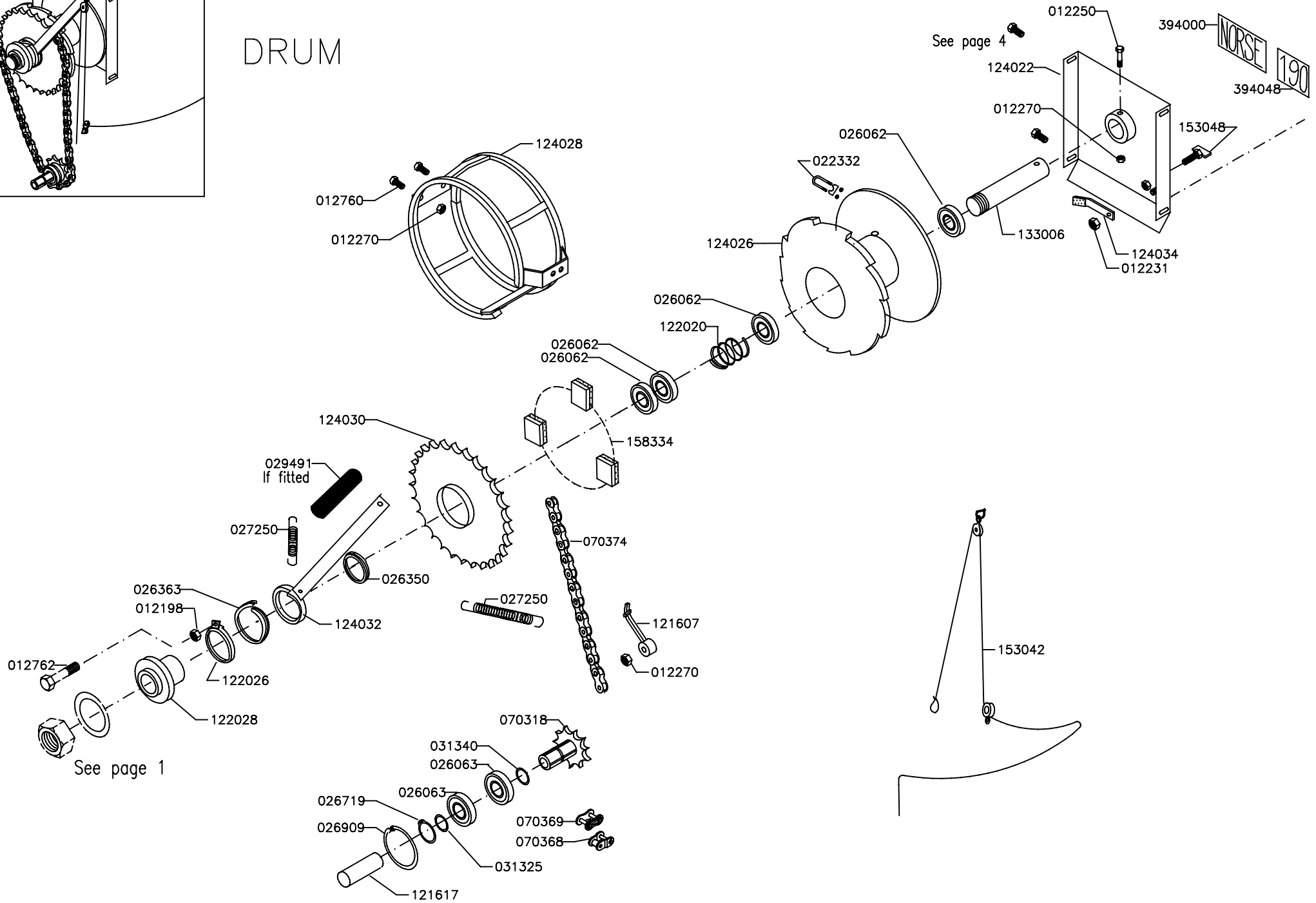
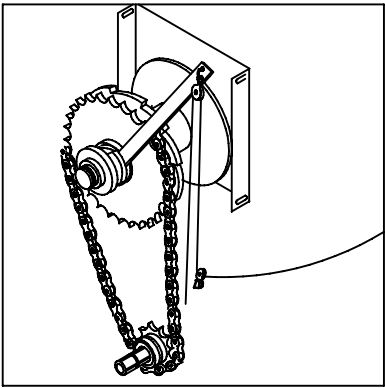


## BODY



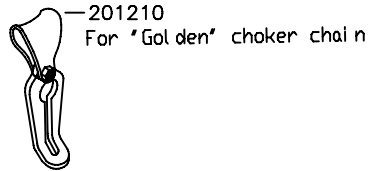
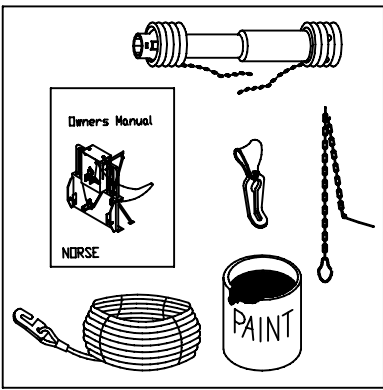
# NORSE 190

## DRUM



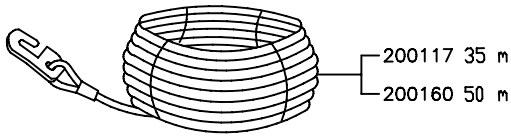
# NORSE 190

## Miscellaneous



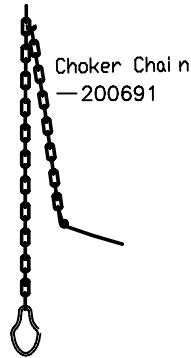
—201210  
For "Golden" choker chain

WIRE ROPE, 6x26WS+IWRC 180 kp, 8 mm



—200117 35 m  
—200160 50 m

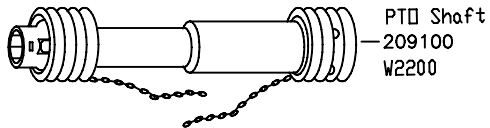
WIRE ROPE, according to ISO 4254-4



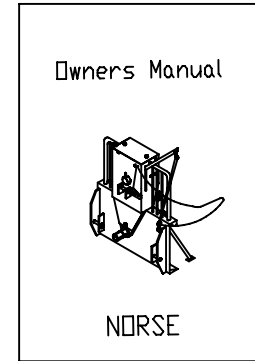
Choker Chain  
—200691



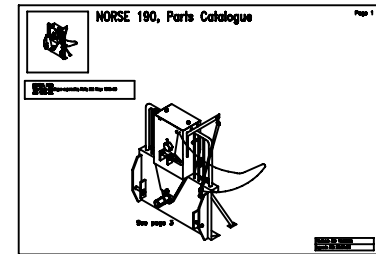
—023001 Red, 1 l



PTO Shaft  
209100  
W2200



Owners Manual  
—395050



Parts Catalogue  
—395013