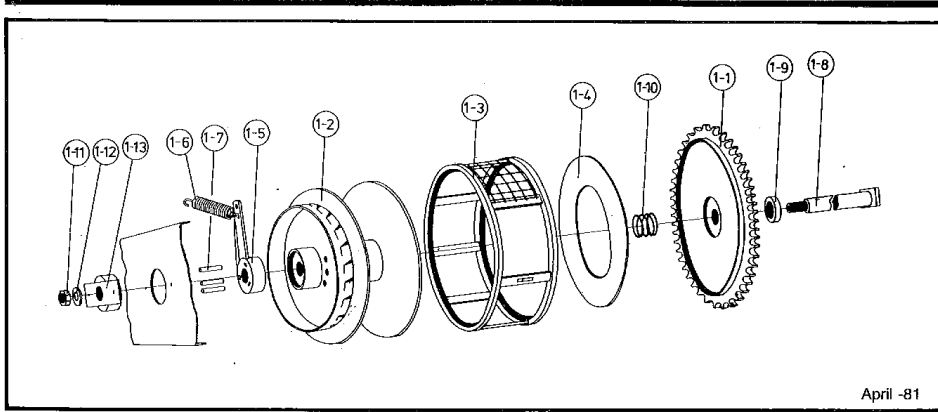


April -81

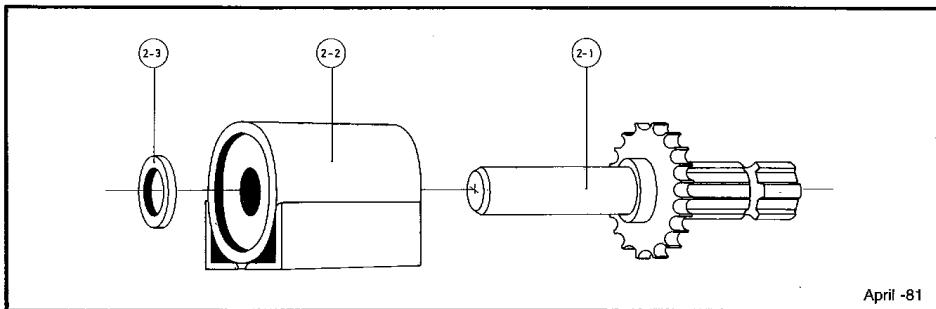
Pos.	Part No.	Number	Description
1	-	1	DRIVE UNIT
2	253322	1	Input drive shaft and chain wheel cpl./w housing and bearings
3	253328	1	Top block compl.
4	253329	1	Center block compl.
*5V	253316	1	Side block (left) compl.
*5H	253313	1	Side block (right) compl.
6	-	1	Wire rope brake
7	251114	1	Lever w/pulley
8	251112	1	Ratchet brake compl.
9	253321	1	Chain tightener
9-1	251001	1	Spring
10	251053	2	Lower link pin w/linch pin
10-1	251517	2	Linch pin 7/16"
11	251095	2	Locking pin
12	253209	2	Adjustable legs
13	253325	1	Upper cover w/screws
14	251027	2	Pulley
15	253326	1	Lower cover w/screws
16	253320	1	Chain 3/4" simplex 71 links
16-1	251126	1	3/4" simplex chain joining link
17	253332	1	Parking leg

\*Optional.



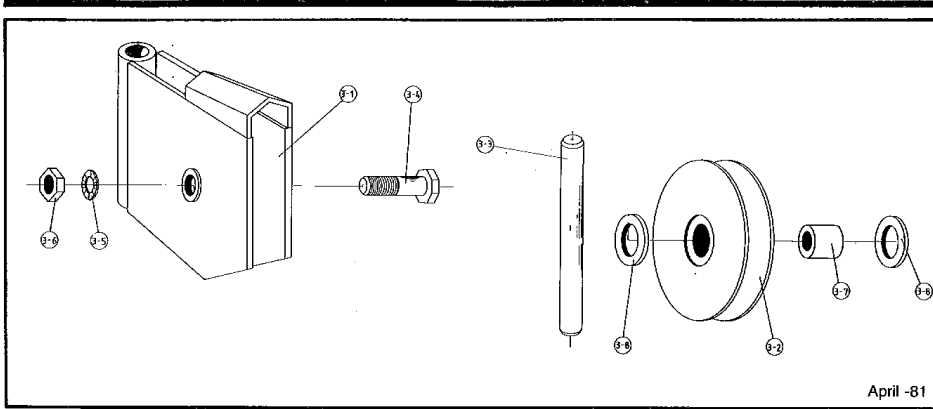
April -81

Pos.	Part No.	Number	Description
1	—	1	DRIVE UNIT
1- 1	251119	1	Chain wheel w/bearing
1- 1A	251514	2	Ball bearing 6307 2RS (not illustrated)
1- 2	251117	1	Wire drum w/bearing
1- 2A	251514	3	Ball bearing 6307 2RS (not illustrated)
1- 3	251118	1	Wire guard w/screws
1- 4	251518	1	Clutch lining
1- 5	251040	1	Clutch arm
1- 6	251001	1	Spring
1- 7	251018	3	Clutch pins
1- 8	251121	1	Main shaft
1- 9	251035	1	Spacing washer
1-10	251533	1	Spring
1-11	251538	1	Nut M30 x 2
1-12	251537	1	Washer
1-13	251113	1	Clutch half w/screws (main shaft support)



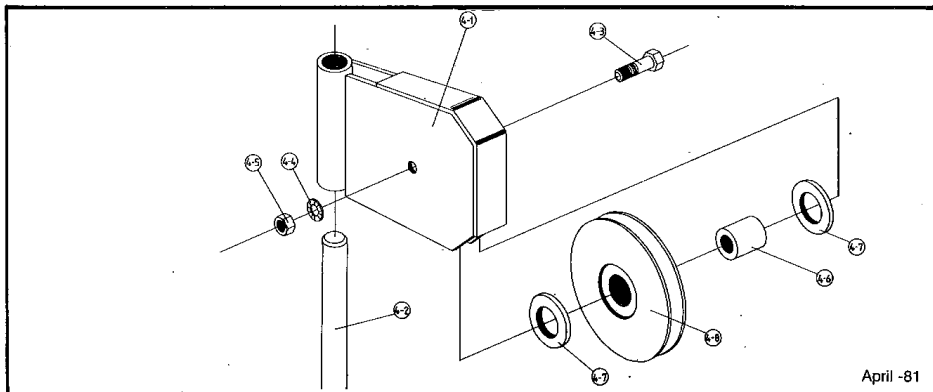
April -81

Pos.	Part No.	Number	Description
2	253322	1	INPUT DRIVE SHAFT CPL./W HOUSING AND BEARINGS
2-1	253303	1	Sprocket w/shaft
2-2	253204	1	Housing w/bearings
2-2A	251501	2	Ball bearings 6306 2RS (not illustrated)
2-3	251052	1	Stop washer (to be welded on)



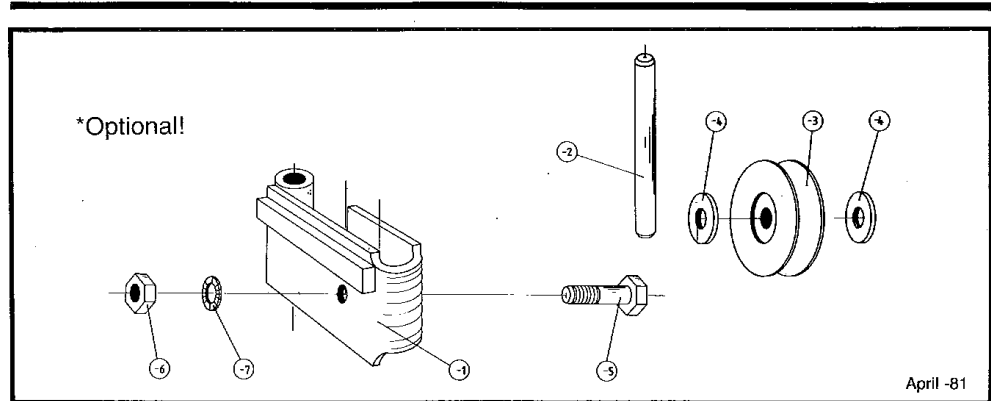
April -81

Pos.	Part No.	Number	Description
3	253328	1	TOP BLOCK COMPL.
3-1	253327	1	Block housing w/pin
3-2	251122	1	Block wheel $\varnothing$ 170 w/bearing
3-2A	251514	1	Ball bearing 6307 2RS (not illustrated)
3-3	251049	1	Mounting pin
3-4	251527	1	Hexagonal bolt w/washer and nut
3-5			
3-6			
3-7	251090	1	Bushing
3-8	251091	2	Spacing washer

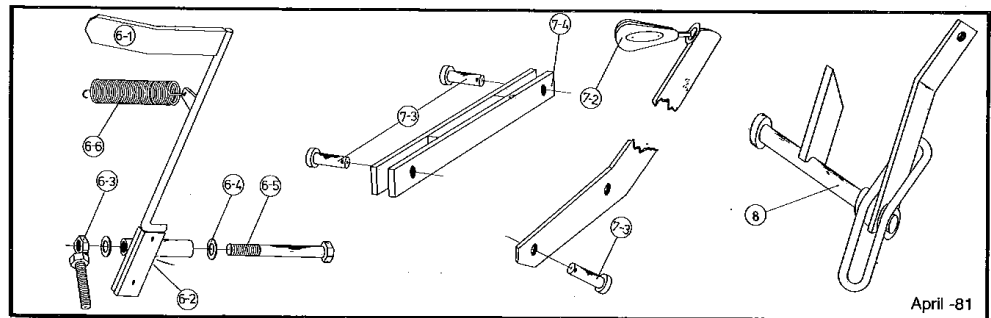


April -81

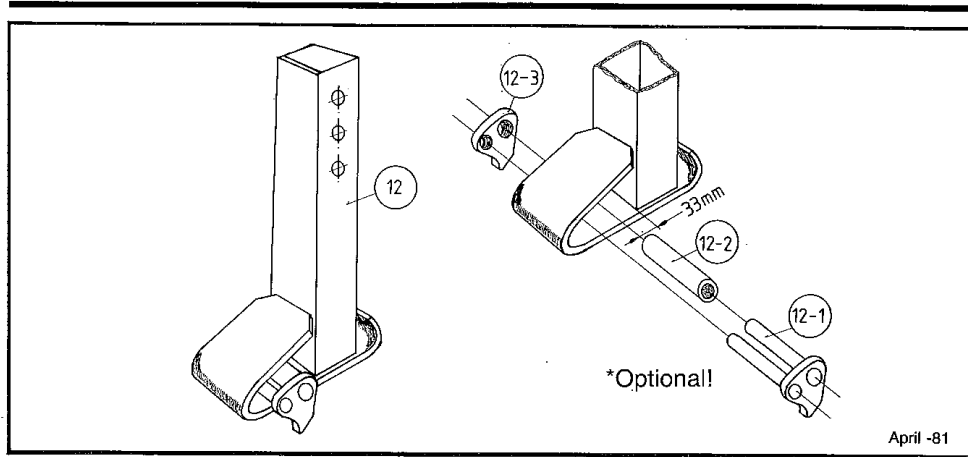
Pos.	Part No.	Number	Description
4	253329	1	CENTER BLOCK COMPL.
4-1	253330	1	Block housing w/pin
4-2	253331	1	Mounting pin
4-3	251527	1	Hexagonal bolt w/washer and nut
4-4			
4-5			
4-6	251090	1	Bushing
4-7	251091	2	Spacing washer
4-8	251122	1	Block wheel $\varnothing$ 170 w/bearing
4-8A	251514	1	Ball bearing 6307 2RS (not illustrated)



Pos.	Part No.	Number	Description
*5L	253316	1	SIDE BLOCK COMPL. left
*5R	253313	1	SIDE BLOCK COMPL. right
5L-1	251003	1	Side block L. w/mounting pin
5R-1	251002	1	Side block R. w/mounting pin
5-2	251054	1	Mounting bolt
5-3	251004	1	Block wheel Ø 100 w/bearing
5-3A	251503	1	Ball bearing 6303 2RS (not illustrated)
5-4	251006	2	Spacing washer
5-5	251504	1	Hexagonal bolt w/washer and nut
5-6			
5-7			



Pos.	Part No.	Number	Description
6	—	1	WIRE ROPE BRAKE
6-1	251116	1	Brake w/lining
6-2	251083	1	Brake lining w/rivets
6-3	251084	1	Mounting bolt
6-4	251536	1	Hexagonal bolt M12 x 90 w/washer
6-5			
6-6			
6-6	251001	1	Spring
7	251114	1	LEVER W/PULLEY
7-1	253333	1	Lever
7-2	251115	1	Double line pulley
7-3	251024	3	Clevis pin v/split pin
7-4	251022	1	Connection
8	251112	1	RATCHET BRAKE COMPI



**Optional equipment:**

Pos.	Part No.	Number	Description
12	253317	2	Adjustable leg
*12-1	251123	2	Spike w/pins
*12-2	251124	2	Sleeve (to be welded on)
*12-3	251125	2	Spike